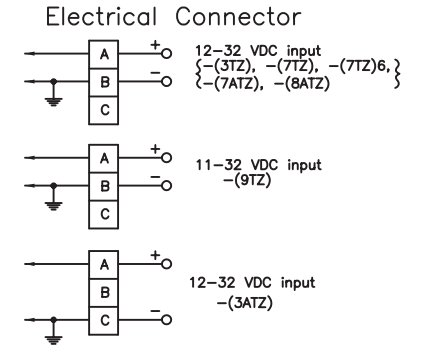
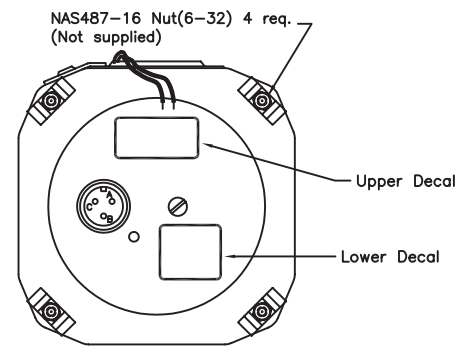
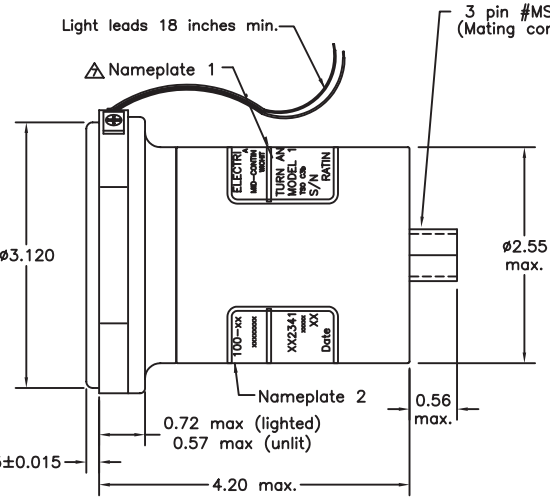
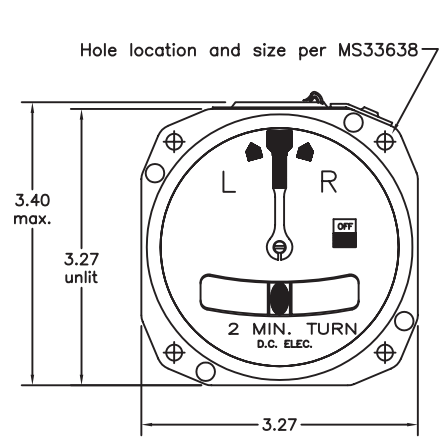


Configuration											
Dash #	Customer, Part Number, Code # (Piper Only)	Lighting	Inclinometer Ball/Bkgrnd	Dial Marking			Nameplate1 ▲	Nameplate2	Lower Decal	Upper Decal	Top Level Assembly
				"2 MIN TURN"	"DC ELEC"	"L" & "R"					
-3TZ	Piper, PS50030-2-3, 550-483	Cust. Spec ▲	Black/White	White	Blue	White	1234151-3	Omit	Omit	1394515	1234101-3TZ
-3TZ	EGC, 1234T100	Cust. Spec ▲	Black/White	White	Blue	White	1234151-1	Omit	Omit	1394515	1234101-3TZ
-7TZ	Cessna, S-1303-2	Omit	Black/White	White	Blue	White	Omit	6019137	1394524-1	1394515	1234101-7TZ
-7TZ	Aero Commander, 850202-BSC	Omit	Black/White	White	Blue	White	1234151-3	Omit	Omit	1394515	1234101-7TZ
-7TZ	Piper, PS50030-2-4 (Rev K), 548-191	Omit	Black/White	White	Blue	White	1234151-3	Omit	Omit	1394515	1234101-7TZ
-7TZ6	Piper (6" Panel), PSS0128-2-3, 599-178	Omit	Black/White	White	Blue	White	1234151-3	Omit	Omit	6019178-3	1234101-7TZ
-7TZ	EGC, 1234T100	Omit	Black/White	White	Blue	White	1234151-1	Omit	Omit	1394515	1234101-7TZ
-9TZ	Cessna, C661033-0101	Omit	Black/White	White	Blue	White	Omit	6019137	1394524-1	1394515	1234101-9TZ
-9TZ	EGC, 1234T100	Omit	Black/White	White	Blue	White	1234151-1	Omit	Omit	1394515	1234101-9TZ
-3ATZ	Cessna, C661004-0101	Cust. Spec ▲	White/Black	Blue	Blue	Blue	Omit	6019137	1394524-2	1394521	1234101-3ATZ
-3ATZ	EGC, 1234T100	Cust. Spec ▲	White/Black	Blue	Blue	Blue	1234151-2	Omit	Omit	1394521	1234101-3ATZ
-7ATZ	Cessna, C661031-0101	Omit	White/Black	Blue	Blue	White	Omit	6019137	1394524-1	1394515	1234101-7ATZ
-7ATZ	EGC, 1234T100	Omit	White/Black	Blue	Blue	White	1234151-1	Omit	Omit	1394515	1234101-7ATZ
-8ATZ	Cessna, C661030-0301	Omit	White/Black	White	Blue	White	Omit	6019137	1394524-1	1394515	1234101-8ATZ
-8ATZ	EGC, 1234T100	Omit	White/Black	White	Blue	White	1234151-1	Omit	Omit	1394515	1234101-8ATZ

Revisions				
ECO	Rev.	Description	Date	Appr.
871	AP	Redraw dwg. See obsolete dwg for revision history. Delete -BTZ as obsolete.	5/15/98	ScH
966	AR	Add rear decals. Add "-3TZ config. shown". Add clamp to side view.	10/30/98	ScH
1458	AS	Add nameplate P/N's. Revise note 6.	11/18/99	JBR
1632	AT	Revise note 6. Lower Decal and Upper Decal was nameplate 3 & 4	3/30/00	ScH
1861	AU	1234151-3 was -1. Add note 7 & 8. Add code #'s.	7/25/00	JBR
1936	AV	1394524-2 was 1394524-1 for -3ATZ.	10/2/00	JBR
2138	AX	Add EGC configs, 6019178-3 was 1394515, for -9TZ: 6019137 was 6019145-1.	1/19/01	JBR, ScH
2224	AY	0.125±0.015 was 0.15, add "max" to ø2.55 & 0.56, 4.20 max was 3.80 (unlit) & 4.50 (lighted), add 0.72 max. and 0.57 max dims.	3/14/01	JBR, ScH

Logo and company name have been changed in title block only. No functional or technical changes have been made. Revision remains unchanged.



- Note:
- 1) Conforms to TSO C3b.
  - 2) Case is flat black, except -3ATZ which is flat gray.
  - 3) Lighting available with 5, 14, and 28 volt lamps. (External light wires)
  - 4) Cover glass anti-reflective coated when specified.
  - 5) Functional test per test data sheet TDS141.
  - 6) Locate nameplates as shown unless otherwise specified.
  - 7) nameplate in upper two quadrants or customer nameplate in the lower two quadrants of case.
  - 8) Identify customer part number on 1234151-3 Nameplate.
  - 9) For Piper Only: Stamp code number in white ink, adjacent to nameplate.

This document discloses proprietary information of Mid-Continent Instrument Co., Inc. It may be reproduced or disclosed only with written permission of Mid-Continent Instrument Co., Inc. and is not to be used in any way detrimental to the interests of Mid-Continent Instrument Co., Inc.

Unless otherwise specified:  
 All dimensions are in inches  
 Tolerance: Fractional = ±1/32  
 .xx = ±.015  
 .xxx = ±.005  
 .xxxx = ±.002  
 Angular = ±.05°  
 Concentricity: .005 TIR  
 Break all sharp edges  
 Threads per MIL-S-7742  
 Surface roughness: .125

DRAWN	J. Reed	5/15/98
APPROVED	D. Clark	7/21/98
TOP LEVEL ASSY:	See configuration table	
USED ON:		
END ITEM:		
CODE IDENT. NUMBER:	59742	

		<b>MidContinent™</b> INSTRUMENTS+AVIONICS	
TITLE:		PART NUMBER:	
Outline, Turn and Slip		1234T100	
SCALE: None	DO NOT SCALE THIS DRAWING	SHEET 1 of 1	