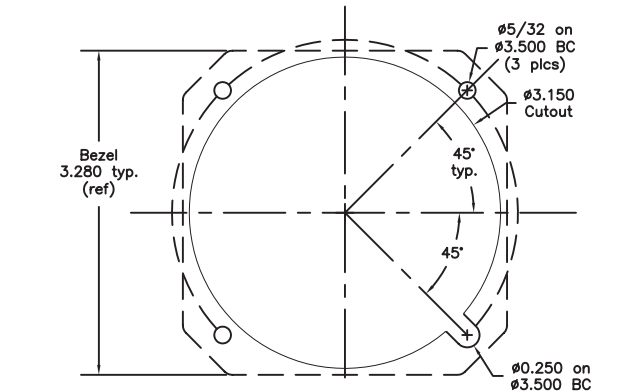
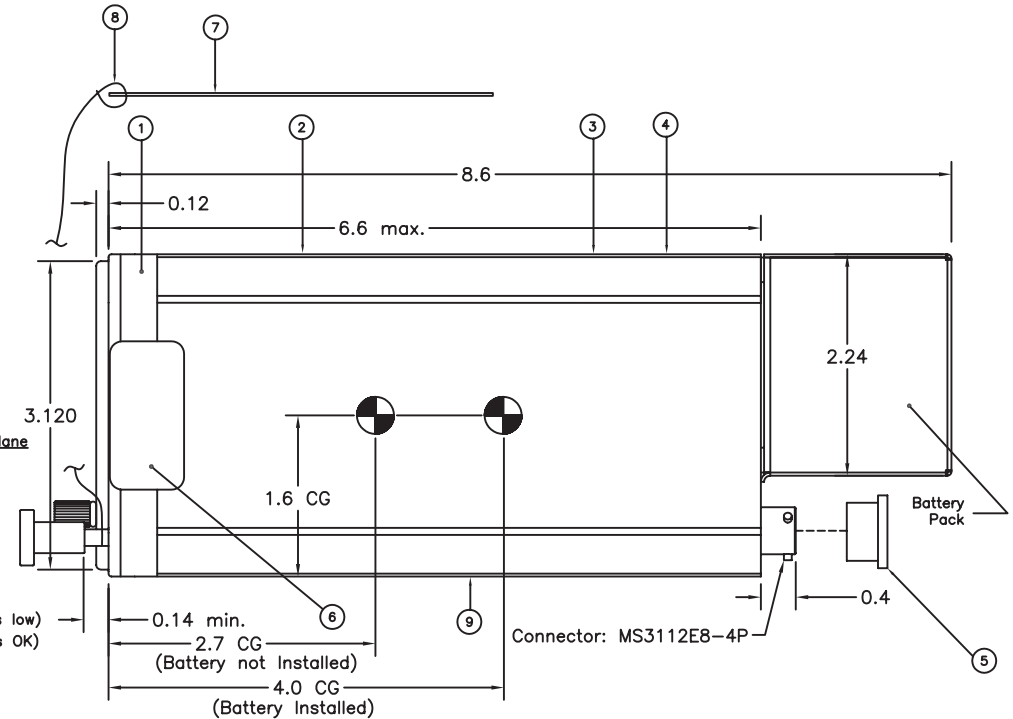
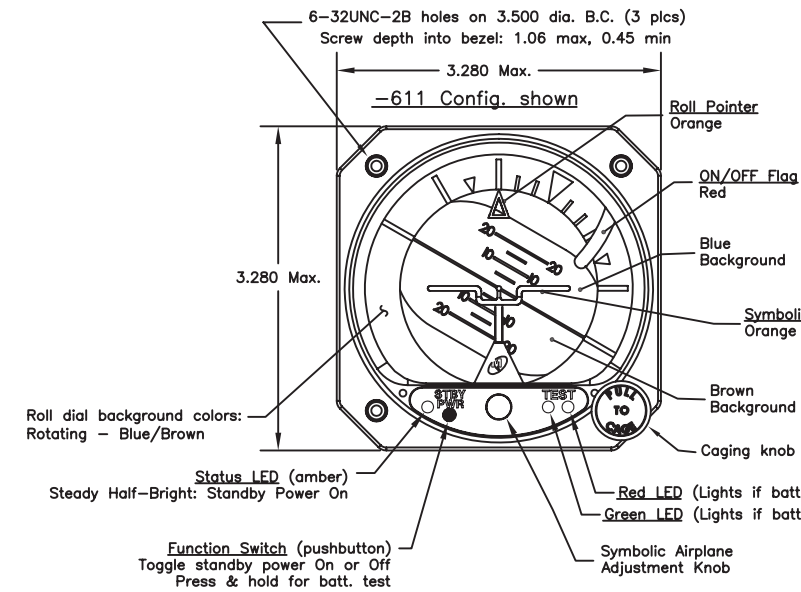


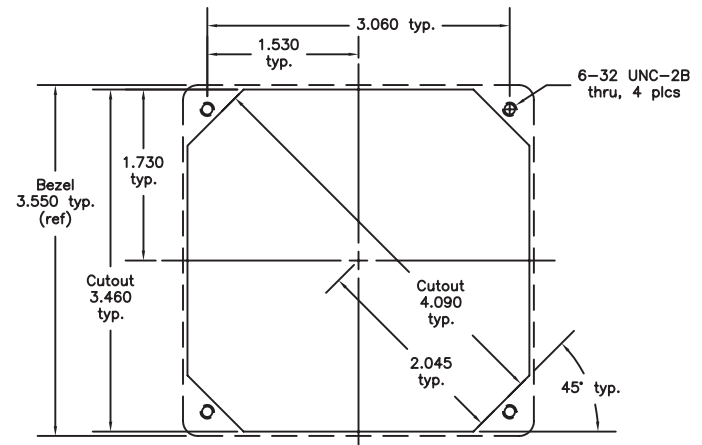
Configuration				
Dash #	Face Layout	Roll Dial	Symbolic Airplane	EGH Assembly
-611	A	Rotating	Traditional	9015396-30
-613	B	Rotating	Delta	9015396-29

Revisions				
ECO	Rev.	Description	Date	Approved
	A	Production release.	1/3/11	MKN/Sch
5549	B	Added 9015882-1 and 9015908-1.	2/3/11	MKN/Sch

Logo and company name have been changed in title block only. No functional or technical changes have been made. Revision remains unchanged.



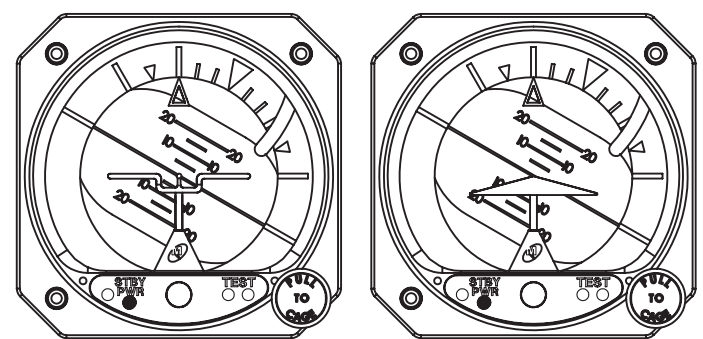
4300 Series Rear-Mount Panel Cutout
Maximum panel thickness: 0.14



4300 Series Front-Mount Panel Cutout

10V to 32V Connector Pinout	
A	Ground (DC)
B	Lighting (No polarity)
C	+10VDC to 32VDC Input
D	Lighting (No polarity)

OPTIONS TABLE	
Panel Tilt Calib.	0° to 20°
Lighting Voltage	5V or 14V or 28V (9015640-X)
Lighting Color	White or Blue/White or Red or NVIS
Miscellaneous Parts:	Non-trimmable Symbolic Airplane Knob Cover (P/N 36022) Slip Indicator Kit (P/N 36023) Front Mount Kit: 3/32" thk (P/N 36028-1) or 1/2" thk (P/N 36027-1) Panel Wedges: 3" (PW3R-3) or 4" (PW3R-4) Mating Connector Kit (P/N 9015514) Replacement Battery Kit (P/N 9015607) Remote Battery Mounting Kit (P/N 9015671)



Face Layout A
Rotating Roll Dial
Fixed Pointer
Traditional Symbolic Airplane
Standard Horizon Dial

Face Layout B
Rotating Roll Dial
Fixed Pointer
Delta Symbolic Airplane
Standard Horizon Dial

- Note:
- Power Input: 10 to 32 VDC
Current ratings:
(at 14 VDC) start 1.8A Max, run 0.55A nominal ±15%.
(at 27.5 VDC) start 0.9A Max, run 0.27A nominal ±15%.
 - User replaceable light tray wired through rear connector.
 - Meets requirements of FAA TSO C4c.
 - MTBF 7500 hours.
 - Qualified to: RTCA DO-160D Env. Cat. C1BAB[(SBM)(RBB1)]XXXXXXZZAZZ[WF]M[A3H33]XXA.
 - Connector: MS3112E8-4P. Mates with: MS3116F8-4S or equivalent.
 - Cover glass is HEA (anti-reflective) coated.
 - Weight (incl. battery): 3.7 lbs.
 - Seam to be covered with acetate tape (8017360) for dust protection.
 - Rotating Roll Dial background is Blue/Brown with White index marks.
 - Bezel is black.
 - Run time on battery: 45 minutes minimum.
 - Automatic switch to internal battery power if main power fails and automatic switch back if main power is restored. Automatic internal LED lighting when running on internal battery.
 - Automatic battery charging when main power is on. Recommended battery replacement interval: 3 years (user replacable).

Colors (Per Fed-Std-595b)	
Blue	# 35250
Brown	# 30108
Red	# 38905
Black	# 37038
White	# 37875
Orange	Day-Glo Arc Yellow #16

UNLESS OTHERWISE SPECIFIED, ALL DIMENSIONS ARE IN INCHES.
TOLERANCE:
.FRACTIONAL=±1/64
.XX=±0.015
.XXX=±0.005
.XXXX=±0.002
ANGULAR=±0.5°
CONCENTRICITY: 0.005 TIR
BREAK ALL SHARP EDGES
THREADS PER MIL-S-7742

DRAWN:
M. Newby
1/3/2011

APPROVED:
S. Haines
1/5/2011

This document discloses proprietary information of Mid-Continent Instrument Co. It may be reproduced or disclosed only with written permission of Mid-Continent Instrument Co. and is not to be used in any way detrimental to the interests of Mid-Continent Instrument Co.



Item	Qty	Part Number	Description
1	A/R	8017360	Tape, Acetate
2	1	6018865	Decal, Caution
3	1	36024-2	Nameplate
4	1	36025-1	Decal, Options EGH
5	1	8012486-10YF	Cover, Connector
6	1	6018956	Decal, Warranty
7	1	9015882-1	Tag, Reference 4300-6XX
8	1	9015908-1	Cord, Stretch
9	1	See Config.	EGH Assy

TITLE: Electric Attitude Indicator with Battery
PART NUMBER: 4300-6()
SCALE: None DO NOT SCALE THIS DRAWING SHEET 1 of 1