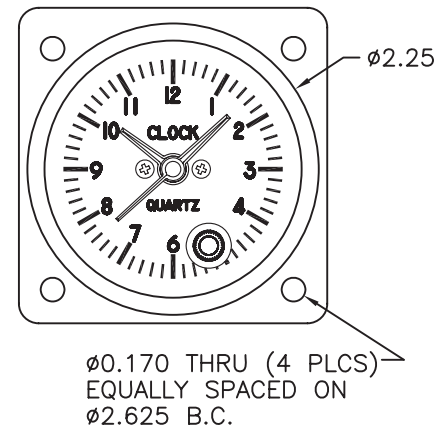
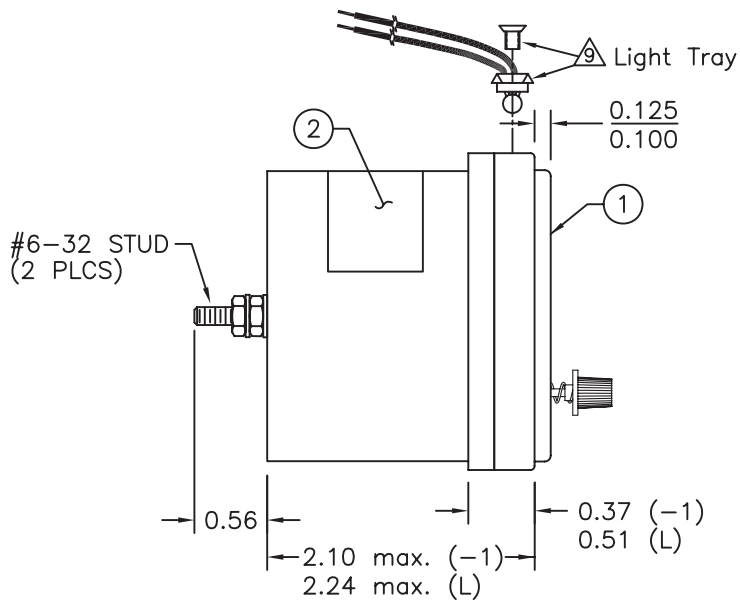
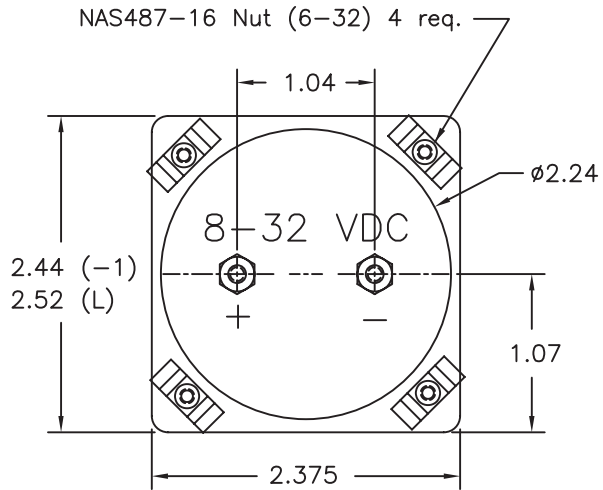


Configuration				
Dash #	Customer, P/N	Lighting	Clock Assy	Nameplate
MD-90-1	Cessna C664508-0202	Omit	9015417-1	6019152
MD-90-1	MD-90-1	Omit	9015417-1	6017578
MD-90L	Cessna C664508L0202	Note 9	9015417-3	6019152
MD-90L	MD-90L	Note 9	9015417-3	6017578

Revisions				
ECO	Rev.	Description	Date	Approved
2408	A	Add "15mA max" to note 5.	7/2/01	DDT/JBR
2912	B	Knob position was btwn 7 and 8, add NAS487-16 Nuts, update hour, minute and second hands, 0.56 was 0.62.	10/21/02	JBR/ScH
2939	C	Reinsert configuration with LH knob. Make RH knob -1.	11/11/02	JBR/ScH
3054	D	Add Cessna Spec C664508-0202 for MD-90-1 config, add MD90L & MD-90-1 (non-Cessna version), add note 8, MD-90 no longer avail.	1/31/03	JBR/ScH
3081	E	Add light tray drawing and P/Ns.	2/19/03	ScH/JBR
4666	F	Add Mod 1 (Note 8), add BOM, update title block.	7/31/06	ScH/MCH
5161	G	Delete MD-90 as obsolete.	2/11/09	ScH/MKN

Logo and company name have been changed in title block only. No functional or technical changes have been made. Revision remains unchanged.



Note:

- 1) This clock is FAA-PMA approved.
 - 2) Bezel and case shall be flat black per FED-STD-595, color #37038.
 - 3) Dial markings and pointers shall be matte white per FED-STD-595, color #37875.
 - 4) Panel cutout is standard 2.25 dia.
 - 5) Clock shall operate on 8-32 VDC, 15mA max, not including lighting.
 - 6) Nameplate to be located on top of case.
 - 7) Functional Test:
Clock shall be connected to a suitable power supply and allowed to run for a period of at least two days. The variation shall not exceed ±30 seconds per 24 hour period.
 - 8) Mod 1 is improved bezel gasket.
- ⚠ MD-90L only: Lighting per customer specification
- 5V 6018634-2
14V 6015010-2
28V 6015358-2

Item	Qty	Part Number	Description
1	1	See config	Clock Assy
2	1	See config	Nameplate

UNLESS OTHERWISE SPECIFIED, ALL DIMENSIONS ARE IN INCHES. TOLERANCE: FRACTIONAL=±1/64 .XX=±0.015 .XXX=±0.005 .XXXX=±0.002 ANGULAR=±0.5° CONCENTRICITY: 0.005 TIR BREAK ALL SHARP EDGES THREADS PER MIL-S-7742	DRAWN: J. Reed 7/23/99	This document discloses proprietary information of Mid-Continent Instrument Co. It may be reproduced or disclosed only with written permission of Mid-Continent Instrument Co. and is not to be used in any way detrimental to the interests of Mid-Continent Instrument Co.			
	APPROVED: SdN 7/23/99			TITLE: Clock, Quartz Analog	PART NUMBER: MD-90
	SCALE: None			DO NOT SCALE THIS DRAWING	SHEET 1 of 1