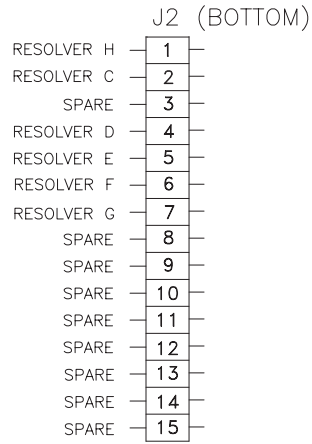
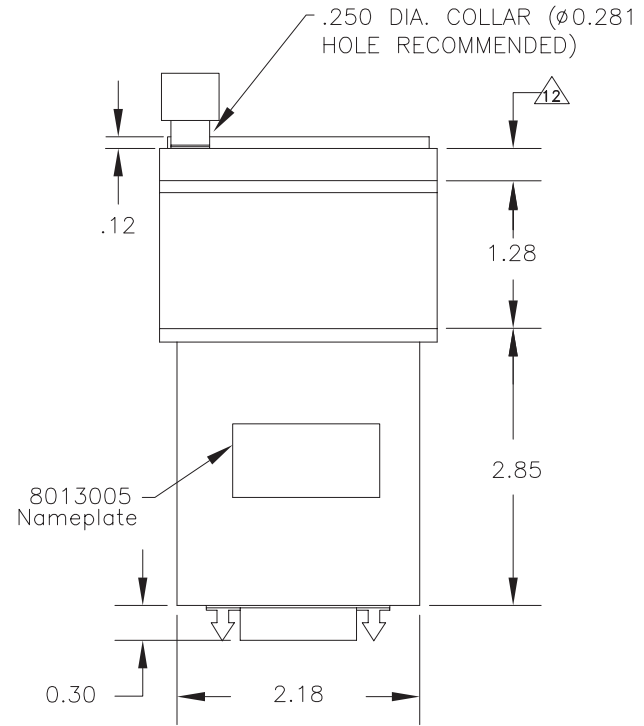
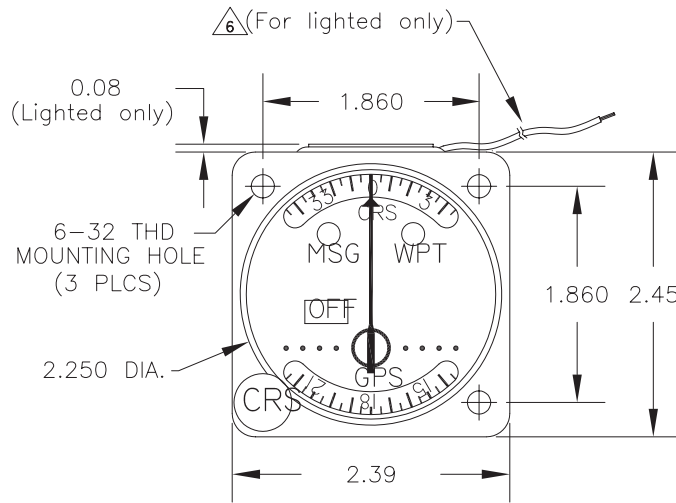
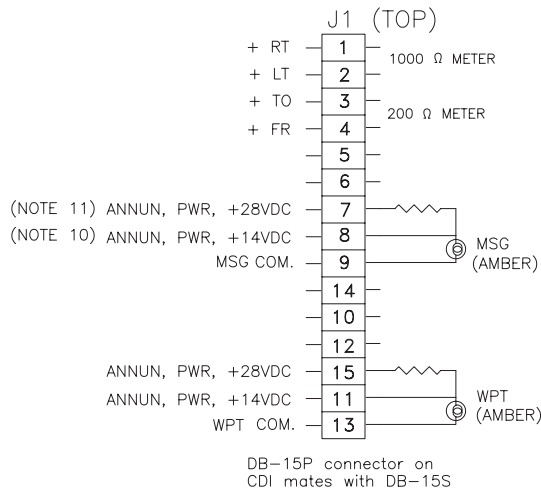


Configuration		
Dash #	Model #	Lighting
-242	MD40-242	Omit
-242L	MD40-242L	

Revisions				
ECO	Rev.	Description	Date	Approved
1308	A	Update to new title block. Revise dwg. Add notes and config table. P/N was 2010056-242. Title was MD40-242(L) Insta. dia.	9/7/99	JBR
2858	B	Top level assembly was 7013790-232(L)	9/6/02	DDT/Sch

Logo and company name have been changed in title block only. No functional or technical changes have been made. Revision remains unchanged.



DB-15S connector on CDI mates with DB-15P

- NOTE:
- Conform to TSO C60a
 - Environmental testing requirement, DO-160B Categories (F2-BA(MN)XXXXXXZ)
 - Functional test per test data sheet for particular P/N.
 - Case is dull black
 - Bezel is dull black or gray per customer spec.
 - Light Tray (5V, 14V or 28V) per customer spec.
 - The weight shall be 1.0 lb max
 - Dial marking shall be matte white (FED-STD-595, #37875) on a flat black background (#37038)
 - Indicating portion of pointer shall be matte white
 - Use for 14VDC aircraft. Voltage may be lower for dimming. 175mA max.
 - Use for 28VDC aircraft. Voltage may be lower for dimming. 175mA max.
 - Lighted unit: Bezel thickness is 0.313
 - Non-lighted unit: Bezel thickness is 0.170

This document discloses proprietary information of Mid-Continent Instrument Co., Inc. It may be reproduced or disclosed only with written permission of Mid-Continent Instrument Co., Inc. and is not to be used in any way detrimental to the interests of Mid-Continent Instrument Co., Inc.

UNLESS OTHERWISE SPECIFIED ALL DIMENSIONS ARE IN INCHES TOLERANCE: FRACTIONAL = ±1/64 .XX = ±.020 .XXX = ±.010 .XXXX = ±.002 ANGULAR = ±0.5° CONCENTRICITY: .005 TIR BREAK ALL SHARP EDGES THREADS PER MIL-S-7742	DRAWN	S. Hoang	4/5/95
	APPROVED	Bill Barnes	12/2/98
	TOP LEVEL ASSY:	9015333-242(L)	
	USED ON		
SURFACE ROUGHNESS	END ITEM:		
	CODE IDENT. NO.:	59742	

		TITLE:	Course Deviation Indicator (CDI)	PART NUMBER:	2010056-242, -242L
		SCALE: None	DO NOT SCALE THIS DRAWING		SHEET 1 of 1