
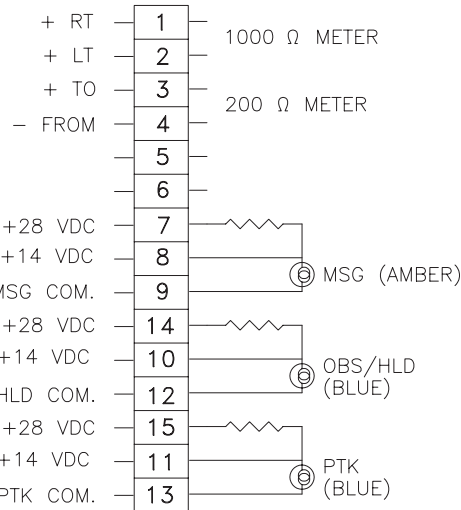


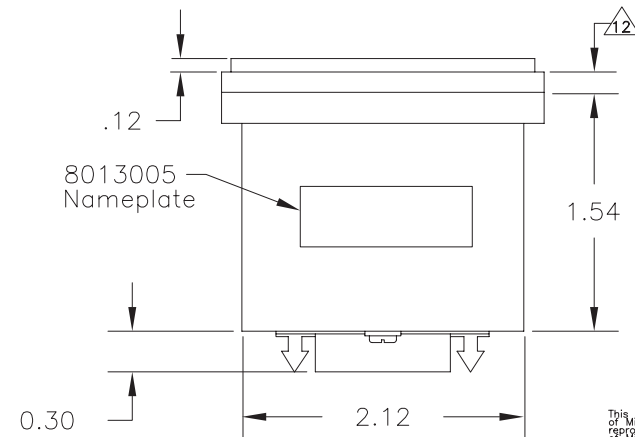
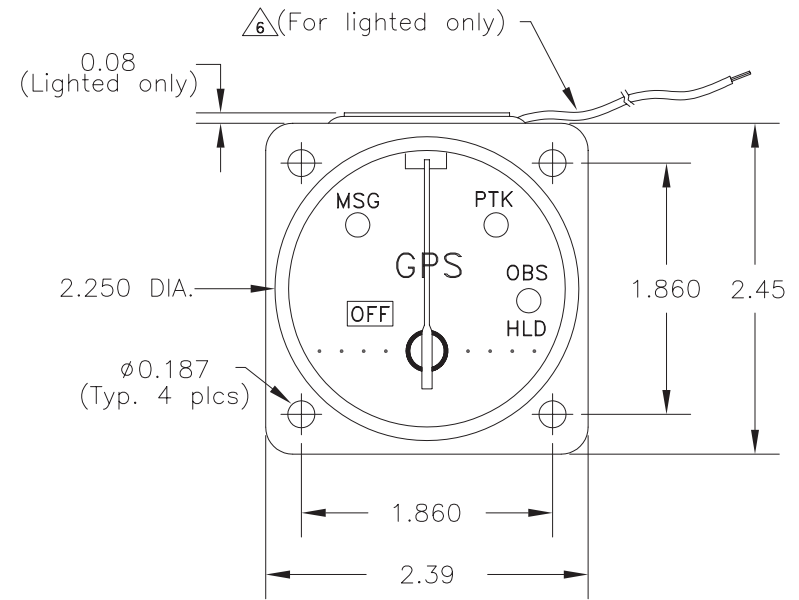
Configuration		
Dash #	Model #	Lighting
-67	MD40-67	Omit
-67L	MD40-67L	

Revisions				
ECO	Rev.	Description	Date	Approved
1364	A	Update to new title block. Revise dwg. Add notes and config. table. P/N was 2010056-67. Title was MD40-67(L) Installation Diagram	9/22/99	JBR

Logo and company name have been changed in title block only. No functional or technical changes have been made. Revision remains unchanged.




DE-15P connector on CDI mates with DE-15S



NOTE:

- 1) Conform to TSO C60a
- 2) Environmental testing requirement, DO-160B Categories (F2-BA(MN)XXXXXXZ)
- 3) Functional test per test data sheet for particular P/N.
- 4) Case is dull black
- 5) Bezel is dull black or gray per customer spec.
- 6) Light Tray (5V, 14V or 28V) per customer spec.
- 7) The weight shall be 0.5 lb max
- 8) Dial marking shall be matte white (FED-STD-595, #37875) on a flat black background (#37038)
- 9) Indicating portion of pointer shall be matte white
- 10) Use for 14VDC aircraft. Voltage may be lower for dimming. 175mA max.
- 11) Use for 28VDC aircraft. Voltage may be lower for dimming. 175mA max.
- 12) Lighted unit: Bezel thickness is 0.313
- 13) Non-lighted unit: Bezel thickness is 0.170

UNLESS OTHERWISE SPECIFIED ALL DIMENSIONS ARE IN INCHES TOLERANCE: FRACTIONAL = ±1/64 .XX = ±.020 .XXX = ±.010 .XXXX = ±.002 ANGULAR = ±0.5° CONCENTRICITY: .005 TIR BREAK ALL SHARP EDGES THREADS PER MIL-S-7742	DRAWN	S. Hoang	03/26/97
	APPROVED	Bill Barnes	7/22/97
	TOP LEVEL ASSY:	8018558-67L	8018566-67
	USED ON		
SURFACE ROUGHNESS	CODE IDENT. NO.: 59742		

		TITLE: Course Deviation Indicator (CDI)		PART NUMBER: 2010056-67, -67L	
		SCALE: None	DO NOT SCALE THIS DRAWING		SHEET 1 of 1

This document discloses proprietary information of Mid-Continent Instrument Co., Inc. It may be reproduced or disclosed only with written permission of Mid-Continent Instrument Co., Inc. and is not to be used in any way detrimental to the interests of Mid-Continent Instrument Co., Inc.