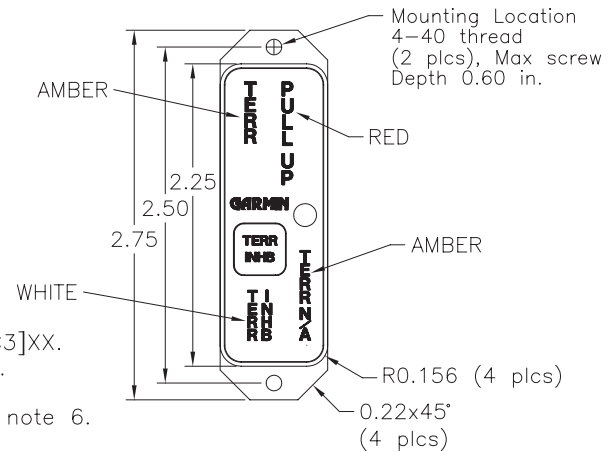
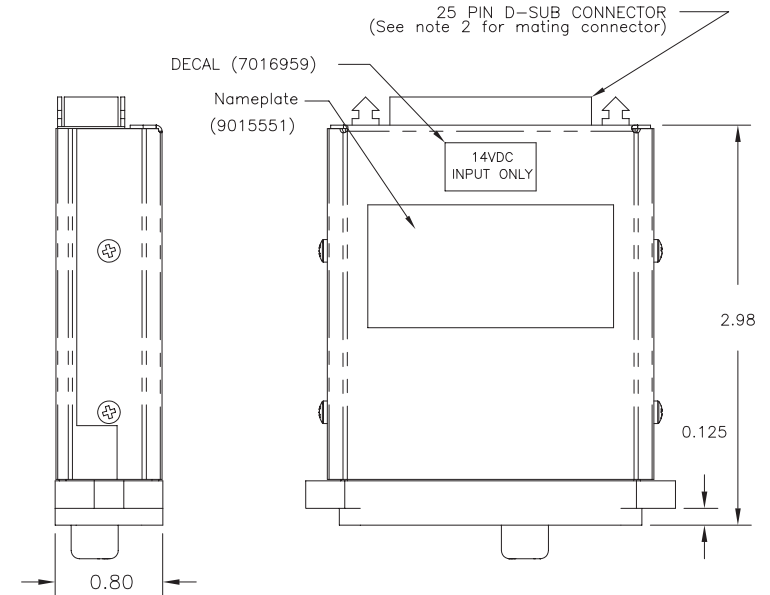


Revisions				
ECO	Rev.	Description	Date	Approved
	A	Initial release	11/14/03	DDT/JBR
4236	B	Add note 5-7. Change title block. PULL UP was Amber, TERR was Red. Pin 19 was Spare	12/29/04	DDT/NHK

Logo and company name have been changed in title block only. No functional or technical changes have been made. Revision remains unchanged.

J1 (25 PIN D-SUB)

ANNUNCIATOR FULL BRT #1 (note 5)	1
ANNUNCIATOR FULL BRT #2 (note 3)	2
TERRAIN PULL UP BRT/DIM (note 5)	3
INTERNAL DIMMING OUTPUT #1 (note 5)	4
TERRAIN CAUTION ANNUNCIATE INPUT	5 (REQUIRES A LOGIC LOW TO ANNUNCIATE)
ANNUNCIATOR PRESS TO TEST INPUT	6 (REQUIRES GROUND FOR TEST)
BRT/DIM ANNUNCIATOR POWER INPUT (note 3)	7
14VDC PANEL LIGHTING BUS HI	8
PANEL LIGHTING BUS LOW	9
TERRAIN NOT AVAILABLE ANNUNCIATE INPUT	10 (REQUIRES A LOGIC LOW NOT TO ANNUNCIATE)
TERRAIN PULL UP ANNUNCIATE INPUT	11 (REQUIRES A LOGIC LOW TO ANNUNCIATE)
INTERNAL DIMMING OUTPUT #2 (NOTE 3)	12
+14VDC AIRCRAFT POWER INPUT	13
TAWS INHIBIT ANNUNCIATE IN	19 (REQUIRES A LOGIC LOW TO ANNUNCIATE)
TAWS INHIBIT OUTPUT	20 (PROVIDES GROUND TO INHIBIT)
POWER GROUND	21
SHIELD GROUND	22
SHIELD GROUND	23
SHIELD GROUND	24
SHIELD GROUND	25



NOTES:

- Design shall meet DO-160D ENV. CAT. [A1F2]CAB[SU]XXXXXXZBABAT[BM][A3C3]XX.
- Mating connector: 013-00050-00 (Garmin), (Mid-Continent P/N 7014517).
- Jumper between pin 7 and pin 2 for full brightness or jumper between pin 7 and pin 12 to use the internal dimming circuit. See note 6.
- PULL UP (red) annunciation does not dim.
- Jumper between pin 3 and pin 1 for full brightness or jumper between pin 3 and pin 4 to use the internal dimming circuit. See note 6.
- Annunciator power to be selected so that annunciators are visible under all lighting conditions.
- Unit is TSO C151a, class A and B approved as part of an incomplete system.

UNLESS OTHERWISE SPECIFIED, ALL DIMENSIONS ARE IN INCHES.  
TOLERANCE:  
FRACTIONAL=±1/64  
.XX=±0.015  
.XXX=±0.005  
.XXXX=±0.002  
ANGULAR=±0.5°  
CONCENTRICITY: 0.005 TIR  
BREAK ALL SHARP EDGES  
THREADS PER MIL-S-7742

DRAWN:  
D. Tran  
8/19/03

APPROVED:  
*GR*  
11/14/03

This document discloses proprietary information of Mid-Continent Instrument Co. It may be reproduced or disclosed only with written permission of Mid-Continent Instrument Co. and is not to be used in any way detrimental to the interests of Mid-Continent Instrument Co.

**MidContinent™**  
INSTRUMENTS+AVIONICS

TITLE:  
TERRAIN AWARENESS  
ANNUNCIATION CONTROL UNIT

PART NUMBER:  
MD41-1034

SCALE: None

DO NOT SCALE THIS DRAWING

SHEET 1 of 1