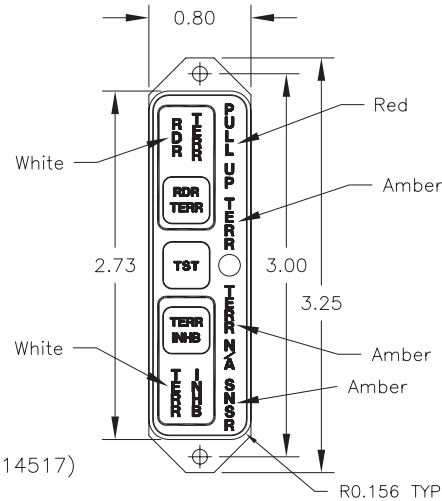
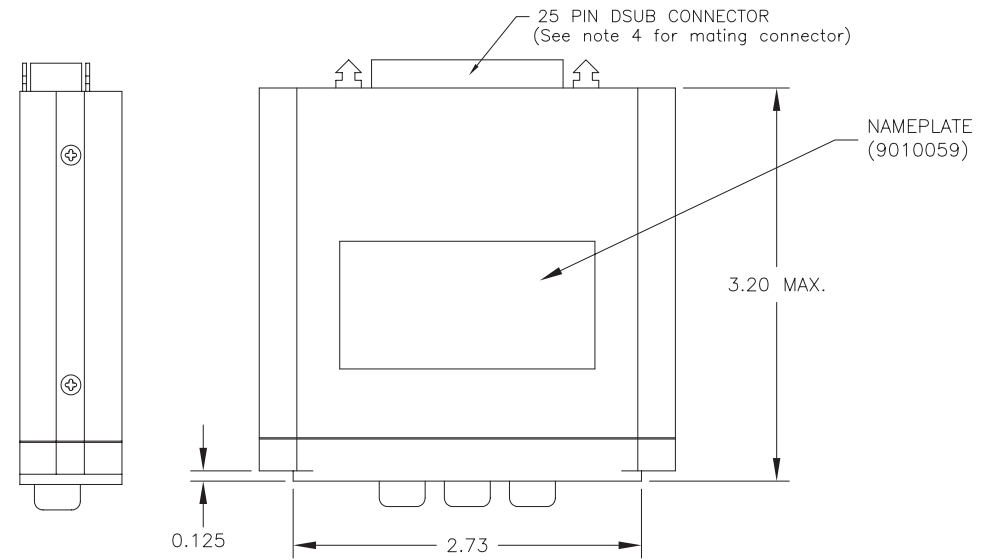


Revisions				
ECO	Rev.	Description	Date	Approved
3061	A	Env. Cat. was F2-BA(MN)XXXXXXZBBBBBXXX. Nameplate was 9011974. Add note 5.	1/31/03	JBR/ScH

Logo and company name have been changed in title block only. No functional or technical changes have been made. Revision remains unchanged.

J1 (25 PIN D-SUB)

ANNUNCIATOR PRESS TO TEST INPUT	6
+28VDC ANNUNCIATOR POWER INPUT	13
PULL UP ANNUNCIATE INPUT	11
TERR ANNUNCIATE INPUT	5
BRT/DIM ANNUNCIATOR POWER INPUT	7
TERRAIN N/A ANNUNCIATE INPUT	10
SNSR ANNUNCIATE INPUT	14
RDR TERR ANNUNCIATE INPUT	15
TERR INHB ANNUNCIATE INPUT	3
TERRAIN DISPLAY SELECT OUTPUT	20
TERRAIN SELF-TEST OUTPUT	18
POWER GROUND	21
TERRAIN INHIBIT SELECT INPUT	19
LIGHTING LOW	9
0-5VDC PANEL LIGHTING	8
INTERNAL DIMING OUTPUT*	12
SPARE	1
SPARE	2
SPARE	4
SPARE	17
SPARE	16
SPARE	22
SPARE	23
SPARE	24
SPARE	25



NOTES:

- Unit shall incorporate both photocell and external dimming input. This is configured by installer.
- Design shall meet D0-160C ENV. CAT. F2-CA(MN)XXXXXXZBABATZXXX.
- Jump the internal dimming output (PIN 12) to BRT/DIM input (PIN 7) to use internal dimming circuit, otherwise leave PIN 12 open.
- Mating connector: RD25F10JVLO from Positronic (Mid-Continent P/N: 7014517)
- Unit is FAA-PMA approved.

<small>UNLESS OTHERWISE SPECIFIED ALL DIMENSIONS ARE IN INCHES TOLERANCE: FRACTIONAL = ± 1/64 .XX = ± .015 .XXX = ± .005 .XXXX = ± .002 ANGULAR = ± 0.5° CONCENTRICITY: .005 TIR BREAK ALL SHARP EDGES THREADS PER MIL-S-7742</small>	DRAWN	J. Reed	8/7/02		<small>PART NUMBER:</small> MD41-1118(5V)
	APPROVED	ScH	8/7/02		
	TOP LEVEL ASSY:	9013467-5			
	USED ON:	TERRAIN AWARENESS ANNUNCIATION CONTROL UNIT			SCALE: None
END ITEM:	CODE IDENT. NO.: 59742			SHEET 1 of 1	

This document discloses proprietary information of Mid-Continent Instrument Co., Inc. It may be reproduced or disclosed only with written permission of Mid-Continent Instrument Co., Inc and is not to be used in any way detrimental to the interests of Mid-Continent Instrument Co., Inc.