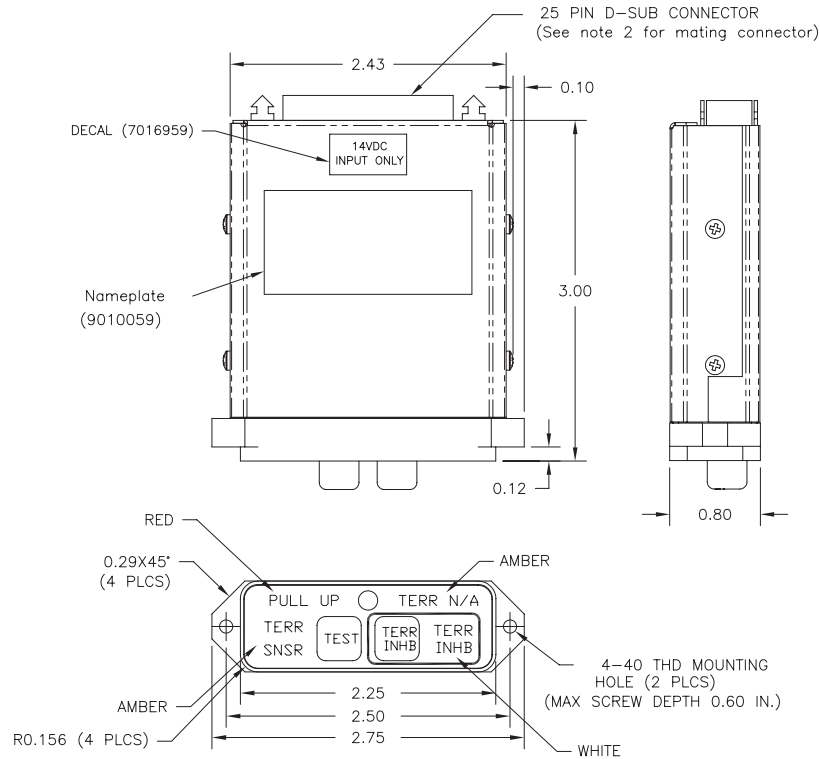


Revisions				
ECO	Rev.	Description	Date	Approved
3164	A	9010059 was 9011974	5/5/03	DDT/ScH
3279	B	Add note 4 and Decal (7016959)	6/27/03	DDT/ScH

Logo and company name have been changed in title block only. No functional or technical changes have been made. Revision remains unchanged.

J1 (25 PIN D-SUB)

TERRAIN INHIBIT ANNUNCIATE INPUT	3
TERRAIN ANNUNCIATE INPUT	5
ANNUNCIATOR PRESS TO TEST INPUT	6
BRT/DIM ANNUNCIATOR POWER INPUT	7
0-14VDC PANEL LIGHTING	8
LIGHTING LOW	9
TERRAIN N/A ANNUNCIATE INPUT	10
PULL UP ANNUNCIATE INPUT	11
INTERNAL DIMMING OUTPUT (NOTE 1)	12
+14VDC ANNUNCIATOR POWER INPUT	13
SNSR ANNUNCIATE INPUT	14
TERRAIN SELF-TEST OUTPUT	18
TERRAIN INHIBIT SELECT OUTPUT	19
POWER GROUND	21
SHIELD GROUND	24
SHIELD GROUND	25



NOTES:

- Design meets DO-160C ENV. CAT. F2-CA(MN)XXXXXXZBABATZXXX.
- Jump the internal dimming output (PIN 12) to BRT/DIM input (PIN 7) to use internal dimming circuit, otherwise leave PIN 12 open.
- Mating connector: RD25F10JVL0 from Positronic (Mid-Continent P/N: 7014517)
- Unit is FAA-PMA approved.

This document discloses proprietary information of Mid-Continent Instrument Co., Inc. It may be reproduced or disclosed only with written permission of Mid-Continent Instrument Co., Inc. and is not to be used in any way detrimental to the interests of Mid-Continent Instrument Co., Inc.

UNLESS OTHERWISE SPECIFIED ALL DIMENSIONS ARE IN INCHES TOLERANCE: FRACTIONAL = ±1/64 .XX = ±.015 .XXX = ±.005 .XXXX = ±.002 ANGULAR = ±0.5° CONCENTRICITY: .005 TIR BREAK ALL SHARP EDGES THREADS PER MIL-S-7742	DRAWN	D TRAN	3/21/03		TITLE: TERRAIN AWARENESS ANNUNCIATOR CONTROL UNIT	PART NUMBER: MD41-1124
	APPROVED	ScH	3/21/03			
SURFACE ROUGHNESS _____ ✓	USED ON:	END ITEM:	MD41-1124	SCALE: None	DO NOT SCALE THIS DRAWING	SHEET 1 of 1
	CODE IDENT. NO.:	59742				