

Revisions				
ECO	Rev.	Description	Date	Approved
	A	Initial release.	9/1/04	BAW/ScH

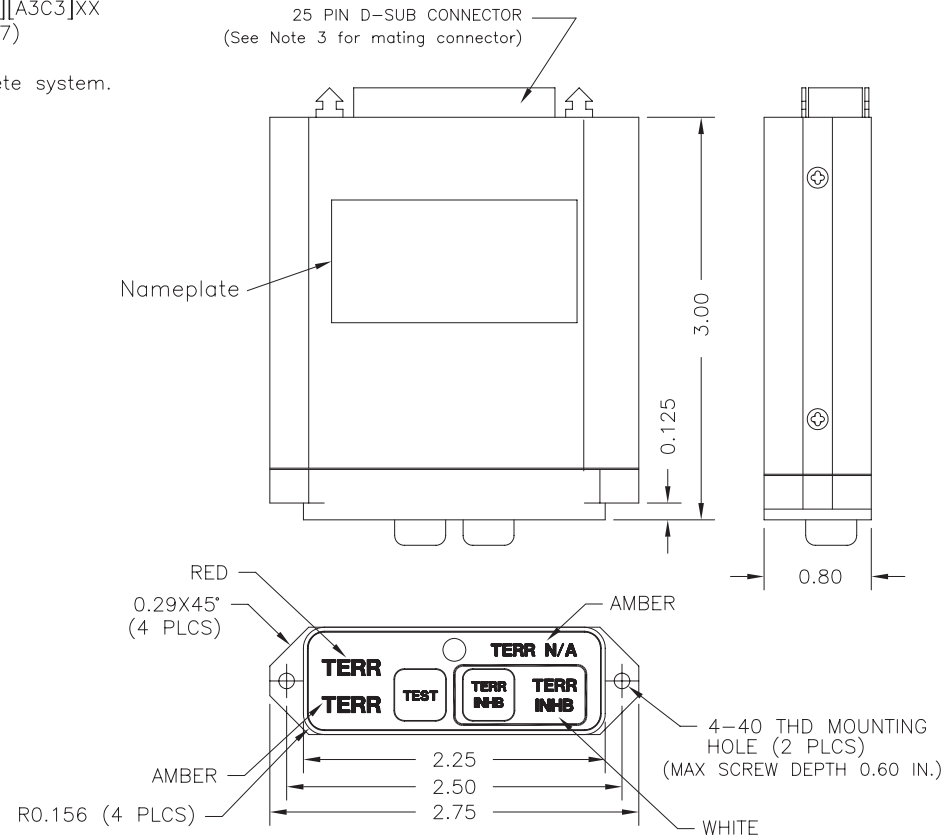
Logo and company name have been changed in title block only. No functional or technical changes have been made. Revision remains unchanged.

NOTES:

- 1) Unit is configurable to use internal photocell dimming or external dimming input.
 - a) For internal/automatic dimming, connect internal dimming output (Pin 12) to BRT/DIM input (Pin 7).
 - b) For external dimming control, leave Pin 12 open.
- 2) Design shall meet DO-160D ENV. CAT. [A1F2]CAB[SU]XXXXXXZBABAT[BM][A3C3]XX
- 3) Mating connector: Positronic RD25F10JVL0 (Mid-Continent P/N: 7014517)
- 4) Mod 0 is FAA-PMA approved.
- 5) Mod 1 is TSO C151a, Class A and B approved as part of an incomplete system.
- 6) Mod 2 represents the incorporation of LED lighting.

J1 (25 PIN D-SUB)

TERRAIN INHIBIT SELECT OUTPUT	1
TERRAIN INHIBIT ANNUNCIATE OUTPUT	2
TERRAIN INHIBIT ANNUNCIATE OUTPUT	3
TERRAIN INHIBIT STRAP	4
TERRAIN CAUTION ANNUNCIATE INPUT	5
ANNUNCIATOR PRESS TO TEST INPUT	6
BRT/DIM ANNUNCIATOR POWER INPUT	7
0-5VDC PANEL LIGHTING	8
LIGHTING LOW	9
TERRAIN N/A ANNUNCIATE INPUT	10
TERRAIN WARNING ANNUNCIATE INPUT	11
INTERNAL DIMMING OUTPUT (NOTE 1)	12
+28VDC ANNUNCIATOR POWER INPUT	13
TERRAIN INHIBIT INTERLOCK #2	14
TERRAIN INHIBIT INTERLOCK #1	15
TERRAIN SELF-TEST OUTPUT	19
TERRAIN INHIBIT SELECT INPUT	20
POWER GROUND	21
SHIELD GROUND	22
SHIELD GROUND	23
SHIELD GROUND	24
SHIELD GROUND	25



MD41-1208D(5V)

Item	Qty	Part Number	Description
1	1	9010752-07	Assy, MD41-1208D(5V)
2	1	9015551	Nameplate, TAWS

UNLESS OTHERWISE SPECIFIED, ALL DIMENSIONS ARE IN INCHES.
 TOLERANCE:
 FRACTIONAL=± 1/64
 .XX=± 0.015
 .XXX=± 0.005
 .XXXX=± 0.002
 ANGULAR=± 0.5°
 CONCENTRICITY: 0.005 TIR
 BREAK ALL SHARP EDGES
 THREADS PER MIL-S-7742

DRAWN:
BAW
8/31/04
 APPROVED:
ScH
9/6/04

This document discloses proprietary information of Mid-Continent Instrument Co. It may be reproduced or disclosed only with written permission of Mid-Continent Instrument Co. and is not to be used in any way detrimental to the interests of Mid-Continent Instrument Co.



TITLE: TERRAIN AWARENESS ANNUNCIATION CONTROL UNIT
 PART NUMBER: MD41-1208D(5V)
 SCALE: None DO NOT SCALE THIS DRAWING SHEET 1 of 1