

NOTES:

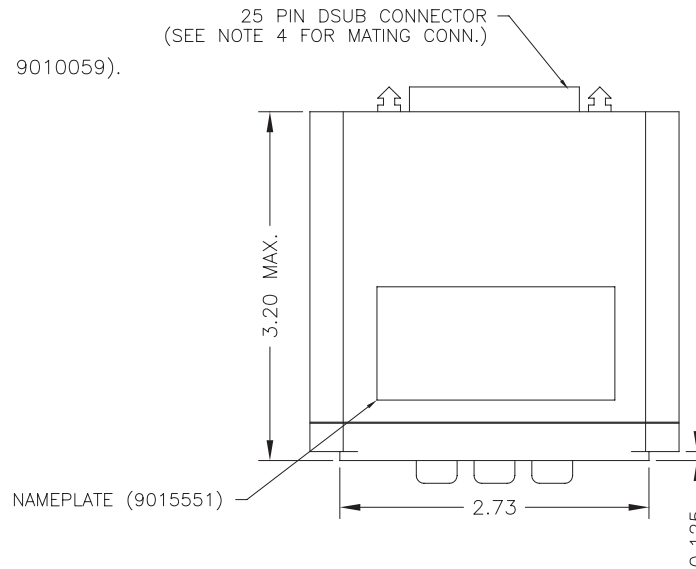
- Unit shall incorporate both photocell and external dimming input. This is configured by installer.
- Design shall meet D0160D ENV. CAT. [A1F2]CAB[SU]XXXXXXZBABAT[BM][A3C3]XX
- Jump the internal dimming output (PIN 12) to BRT/DIM input (PIN 5) to use internal dimming circuit, otherwise leave pin 12 open.
- Mating connector: POSITRONIC P/N RD25F10JVL0 (Mid-Continent P/N 7014517)
- This unit is FAA PMA approved prior to Mod 1 (Nameplate P/N 9010059).
After Mod 1, this unit is TSO C151a, class A and B approved, as part of an incomplete system (Nameplate P/N 9015551).

Revisions				
ECO	Rev.	Description	Date	Approved
2452	A	Correct typos, rotate front view to vertical.	8/16/01	ScH/JBR
2798	B	Note 5 was for STC approval.	6/25/02	NHK/JBR
3646	C	Note 2 was [... DO-160C ENV. CAT. F2-BA(MN)XXXXXXZBBBBBXX.] Note 5 was this unit is FAA PMA approved. 9015551 was 9010059	1/19/04	DDT/ScH

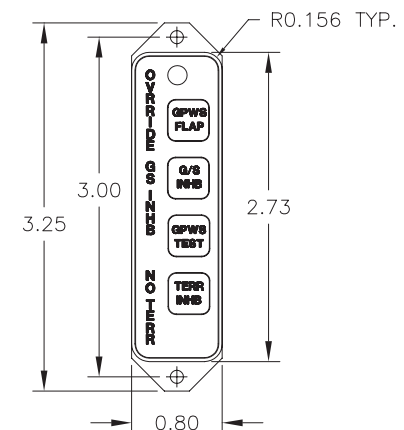
Logo and company name have been changed in title block only. No functional or technical changes have been made. Revision remains unchanged.

J1 (25 PIN D-SUB)

ANNUNCIATOR PRESS TO TEST INPUT	4
G/S INHIBIT ANNUNCIATION	8
BRT/DIM ANNUNCIATOR POWER INPUT	5
FLAP LOGIC SWITCH COMMON	10
FLAP LOGIC NC	9
FLAP LOGIC NO	11
GROUND FOR GPWS FLAP	7
GROUND FOR G/S INHIBIT	6
GROUND FOR TERRAIN INHIBIT	1
GROUND FOR GPWS TEST	14
POWER GROUND	25
+28VDC ANNUNCIATOR POWER INPUT	13
DIMMER LOW OR GROUND	2
TO 5 VOLT DIMMER BUSS	3
INTERNAL DIMMING OUTPUT (NOTE 3)	12



ALL ANNUNCIATIONS ARE AMBER



<p>UNLESS OTHERWISE SPECIFIED ALL DIMENSIONS ARE IN INCHES</p> <p>TOLERANCE: FRACTIONAL = ±1/64 .XX = ±.015 .XXX = ±.005 .XXXX = ±.002 ANGULAR = ±0.5°</p> <p>CONCENTRICITY: .005 TIR BREAK ALL SHARP EDGES THREADS PER MIL-S-7742</p>	DRAWN	S. Hoang	11/06/00		<p>TITLE: TERRAIN AWARENESS ANNUNCIATION CONTROL UNIT</p>	<p>PART NUMBER: MD41-1310(5V)</p>
	APPROVED	B. Barnes	11/06/00			
		TOP LEVEL ASSY:	9011842			
		USED ON:				
	END ITEM:					
	CODE IDENT. NO.:	59742		SCALE: None	DO NOT SCALE THIS DRAWING	SHEET 1 of 1