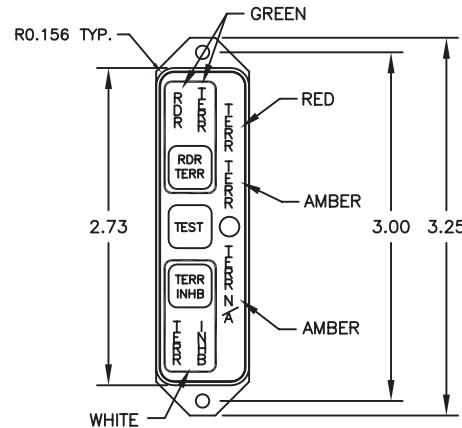
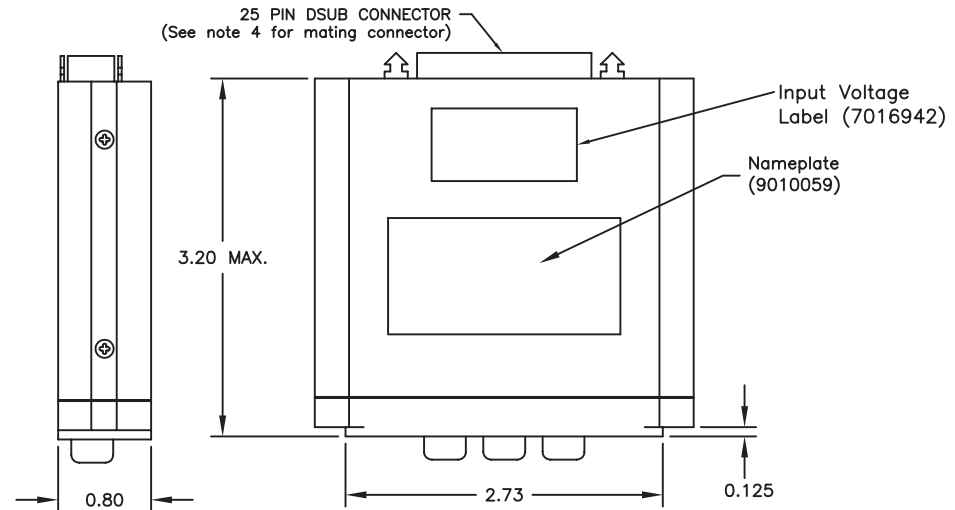


J1 (25 PIN D-SUB)

WX RADAR 453 A INPUT	1
TERRAIN 453 A INPUT	2
RADAR/TERRAIN 453 B OUTPUT	3
WX/TERRAIN SELECT INPUT	4
TERRAIN CAUTION ANNUNCIATE INPUT	5
ANNUNCIATOR PRESS TO TEST INPUT	6
BRT/DIM ANNUNCIATOR POWER INPUT	7
0-28VDC PANEL LIGHTING	8
LIGHTING LOW	9
TERRAIN N/A ANNUNCIATE INPUT	10
TERRAIN WARNING ANNUNCIATE INPUT	11
INTERNAL DIMMING OUTPUT (NOTE 3)	12
+28VDC ANNUNCIATOR POWER INPUT	13
RADAR/TERRAIN 453 A OUTPUT	14
TERRAIN 453 B INPUT	15
WX RADAR 453 B INPUT	16
+28VDC EGPWS POWER INPUT	17
TERRAIN DISPLAY SELECT OUTPUT	18
TERRAIN SELF-TEST OUTPUT	19
TERRAIN INHIBIT SELECT INPUT	20
POWER GROUND	21
SHIELD GROUND	22
SHIELD GROUND	23
SHIELD GROUND	24
SHIELD GROUND	25

Revisions				
ECO	Rev.	Description	Date	Approved
	A	MD41-1318 was on MD41-1308 drawing.	8/23/01	JBR/ScH
2731	B	Move -1318(5V) to MD41-1318(5V) drawing. Add 7016942.	4/16/02	JBR/ScH
3005	C	Env. Cat. was F2-BA(MN)XXXXXXZBBBBBBBXXX.	12/27/02	ScH/JBR

Logo and company name have been changed in title block only. No functional or technical changes have been made. Revision remains unchanged.



NOTES:

- Unit shall incorporate both photocell and external dimming input. This is configured by installer.
- Design shall meet DO-160C ENV. CAT. F2-CA(MN)XXXXXXZBABATZXXX.
- Jump the internal dimming output (PIN 12) to BRT/DIM input (PIN 7) to use internal dimming circuit, otherwise leave PIN 12 open.
- Mating connector: RD25F10JVLO from Positronic (Mid-Continent P/N: 7014517)
- Unit is FAA-PMA approved.

<small>UNLESS OTHERWISE SPECIFIED ALL DIMENSIONS ARE IN INCHES TOLERANCE: FRACTIONAL = ±1/64 .XX = ±.015 .XXX = ±.005 .XXXX = ±.002 ANGULAR = ±0.5° CONCENTRICITY: .005 TIR BREAK ALL SHARP EDGES THREADS PER MIL-S-7742</small>	DRAWN	J. Reed	8/23/01		TITLE: TERRAIN AWARENESS ANNUNCIATION CONTROL UNIT	PART NUMBER: MD41-1318
	APPROVED	ScH	8/23/01			
	TOP LEVEL ASSY:	8019853-1			SCALE: None	DO NOT SCALE THIS DRAWING
	USED ON:					
	END ITEM:					
SURFACE ROUGHNESS	CODE IDENT. NO.: 59742			SHEET 1 of 1		