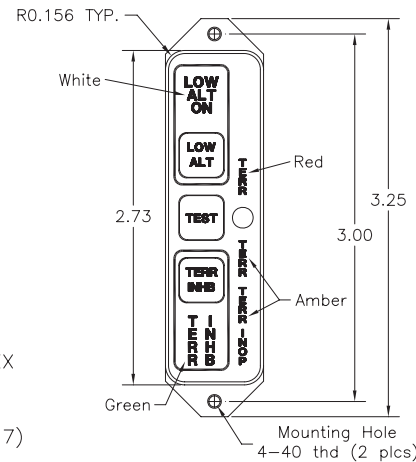
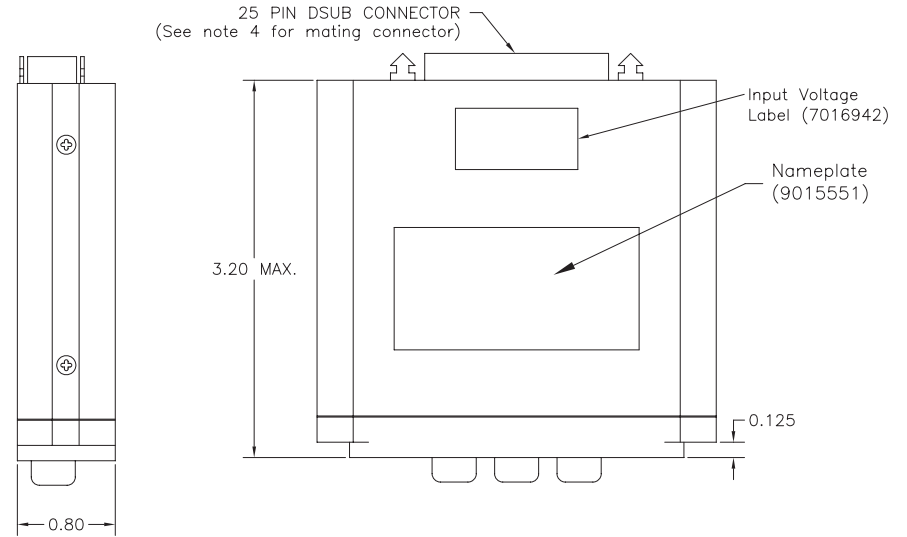


ECO	Rev.	Description	Date	Approved
	A	Pin 8, 0-28VDC was 0-5VDC. 0-5VDC is MD41-1378(5V).	4/12/02	JBR/ScH
4341	B	Change title block. Add note 5. Name plate was 9011974 Note 2 was (...D0-160C...)	5/16/05	DDT/NHK

Logo and company name have been changed in title block only. No functional or technical changes have been made. Revision remains unchanged.

J1 (25 PIN D-SUB)

SPARE	1
TERR INOP ANNUNCIATE INPUT	2
SPARE	3
SPARE	4
TERRAIN CAUTION ANNUNCIATE INPUT	5
ANNUNCIATOR PRESS TO TEST INPUT	6
BRT/DIM ANNUNCIATOR POWER INPUT	7
0-28VDC PANEL LIGHTING	8
LIGHTING LOW	9
TAS AUDIO INHIBIT	10
TERRAIN WARNING ANNUNCIATE INPUT	11
INTERNAL DIMMING OUTPUT (NOTE 3)	12
+28VDC ANNUNCIATOR POWER INPUT	13
SPARE	14
SPARE	15
SPARE	16
LOW ALTITUDE ANNUNCIATE INPUT	17
LOW ALTITUDE OUTPUT	18
TERRAIN SELF-TEST OUTPUT	19
TERRAIN INHIBIT SELECT OUTPUT	20
POWER GROUND	21
SPARE	22
SPARE	23
SPARE	24
SPARE	25



NOTES:

- Unit shall incorporate both photocell and external dimming input. This is configured by installer.
- Design shall meet D0160D ENV. CAT. [A1F2]CAB[SU]XXXXXXZBABAT[BM][A3C3]XX
- Jump the internal dimming output (PIN 12) to BRT/DIM input (PIN 7) to use internal dimming circuit, otherwise leave PIN 12 open.
- Mating connector: RD25F10JVL0 from Positronic (Mid-Continent P/N: 7014517)
- With Mod 1, this unit is TSO C151a, class A and B approved.

UNLESS OTHERWISE SPECIFIED, ALL DIMENSIONS ARE IN INCHES.
TOLERANCE:
FRACTIONAL=± 1/64
.XX=± 0.015
.XXX=± 0.005
.XXXX=± 0.002
ANGULAR=± 0.5°
CONCENTRICITY: 0.005 TIR
BREAK ALL SHARP EDGES
THREADS PER MIL-S-7742

DRAWN:
J. Reed
12/14/01

APPROVED:
ScH
12/14/01

This document discloses proprietary information of Mid-Continent Instrument Co. It may be reproduced or disclosed only with written permission of Mid-Continent Instrument Co. and is not to be used in any way detrimental to the interests of Mid-Continent Instrument Co.

MidContinent™
INSTRUMENTS+AVIONICS

TITLE: TERRAIN AWARENESS
ANNUNCIATION CONTROL UNIT

PART NUMBER:
MD41-1378

SCALE: None DO NOT SCALE THIS DRAWING SHEET 1 of 1