

SPECIFICATIONS:

- 1) TSO Compliance: TSO C129
Applicable Documents: RTCA DO-160C, DO-208
- 2) Operating Temperature Range: -55°C to +70°C
- 3) Humidity: 95% Non-Condensing.
- 4) Altitude Range: 0 to 55,000 ft.
- 5) Vibration: Cat. M and N.
- 6) Operational Shock: Rigid Mounting, 6G Operational
15G Crash Safety.
- 7) Current: 0.40 Amps typical.
- 8) Controls:
 - CDI: Momentary switch.
 - OBS: Momentary switch.
- 9) Annunciations and colors:
 - VLOC: white.
 - GPS: green.
 - MSG: amber.
 - WPT: amber.
 - TERM: green.
 - APR: green.
 - OBS: green.
 - AUTO: white.
 - ENR: green.
- 10) Overall color shall be black.
- 11) Weight shall be 0.30 lbs.

25 PIN MALE
D-SUB CONNECTOR

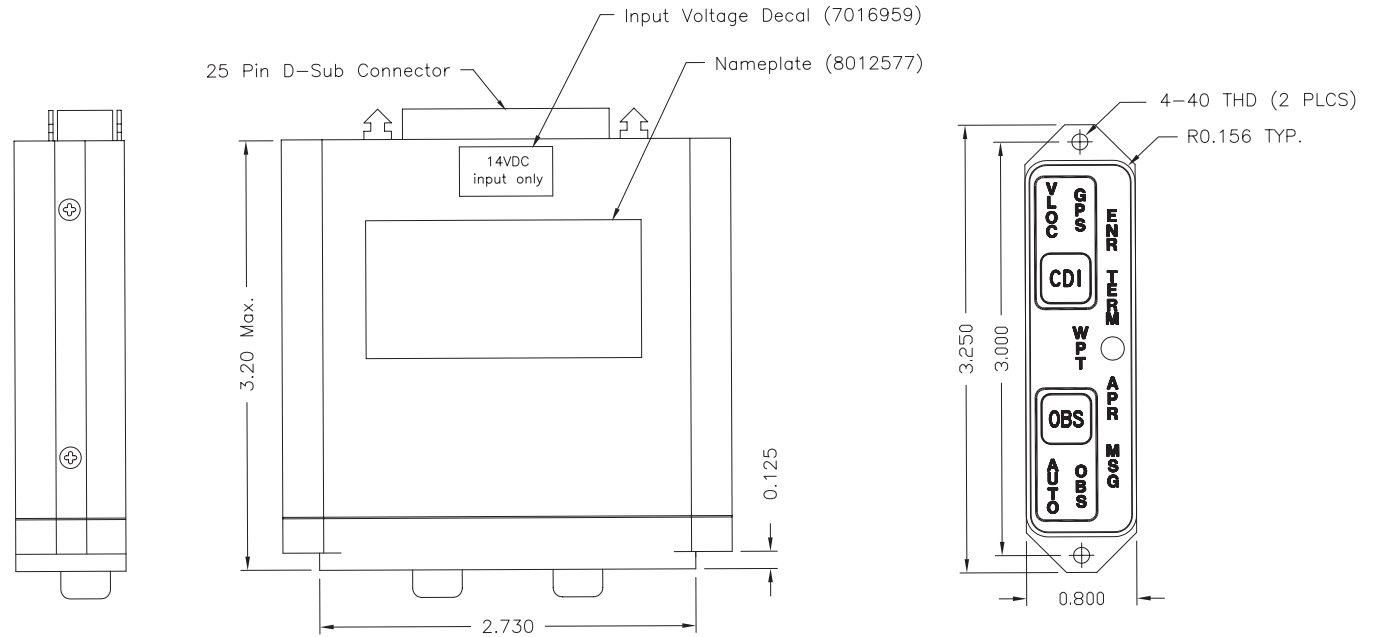
APR ANN.	9
WPT ANN.	8
MSG ANN.	10
TERM ANN.	3
VLOC ANN.	2
GPS ANN.	1
LAMP TEST	7
OBS MODE SELECT	12
OBS	24
CDI SOURCE SELECT	4
14VDC POWER	13
GROUND	25
14V DIMMER IN	5

NOTES:

- 1) Mating connector is: POSITRONIC RD25F10JVL0
Mid-Continent P/N: 7014517
- 2) Installation manual P/N: 9010455 (Mid-Continent)

Revisions				
ECO	Rev.	Description	Date	Approved
3207	A	0.125 was 0.08. Rearrange drawing, current spec. was 0.3A.	5/29/03	DDT/Sch

Logo and company name have been changed in title block only. No functional or technical changes have been made. Revision remains unchanged.



Vertical Mount

This document discloses proprietary information of Mid-Continent Instrument Co., Inc. It may be reproduced or disclosed only with written permission of Mid-Continent Instrument Co., Inc and is not to be used in any way detrimental to the interests of Mid-Continent Instrument Co., Inc.

UNLESS OTHERWISE SPECIFIED ALL DIMENSIONS ARE IN INCHES TOLERANCE: FRACTIONAL = ±1/64 .XX = ±.020 .XXX = ±.010 .XXXX = ±.002 ANGULAR = ±0.5° CONCENTRICITY: .005 TIR BREAK ALL SHARP EDGES THREADS PER MIL-S-7742	DRAWN	S. Hoang	10/16/00		TITLE: ANNUNCIATION CONTROL UNIT	PART NUMBER: MD41-1475
	APPROVED	B. Barnes	10/16/00			
	TOP LEVEL ASSY:	9010505-4				
	USED ON:					
	END ITEM:			SCALE: None	SHEET 1 of 1	
SURFACE ROUGHNESS	CODE IDENT. NO.:	59742				