

SPECIFICATIONS:

- 1) TSO Compliance: TSO C129
Applicable Documents: RTCA DO-160C, DO-208
- 2) Operating Temperature Range: -55°C to +70°C
- 3) Humidity: 95% Non-Condensing.
- 4) Altitude Range: 0 to 55,000 ft.
- 5) Vibration: Cat. M and N.
- 6) Operational Shock: Rigid Mounting, 6G Operational
15G Crash Safety.
- 7) Current: 0.30 Amps typical.
- 8) Controls:
 - CDI: Momentary switch.
 - SUSP: Momentary switch.
- 9) Annunciations and colors:
 - GPS: White
 - NAV: Green
 - TERM: Green
 - APPR: Green
 - WPT: White
 - MSG: Amber
 - LOI: Amber
 - ALT: Amber
 - PTK: White
 - SUSP: White
- 10) Overall color shall be black.
- 11) Weight shall be 0.30 lbs.

25 PIN MALE
D-SUB CONNECTOR

TERM ANN.	15
MSG ANN.	6
LOI ANN.	9
WPT ANN.	8
ALT ANN.	10
APPR ANN.	3
NAV ANN.	2
GPS ANN.	1
GPS ANN. OUTPUT	14
NAV ANN. OUTPUT	16
LAMP TEST	7
SUSP MODE SELECT	12
PTK ANN.	11
SUSP ANN	24
CDI SOURCE SELECT	4
28VDC POWER	13
GROUND	25
5V DIMMER IN	5

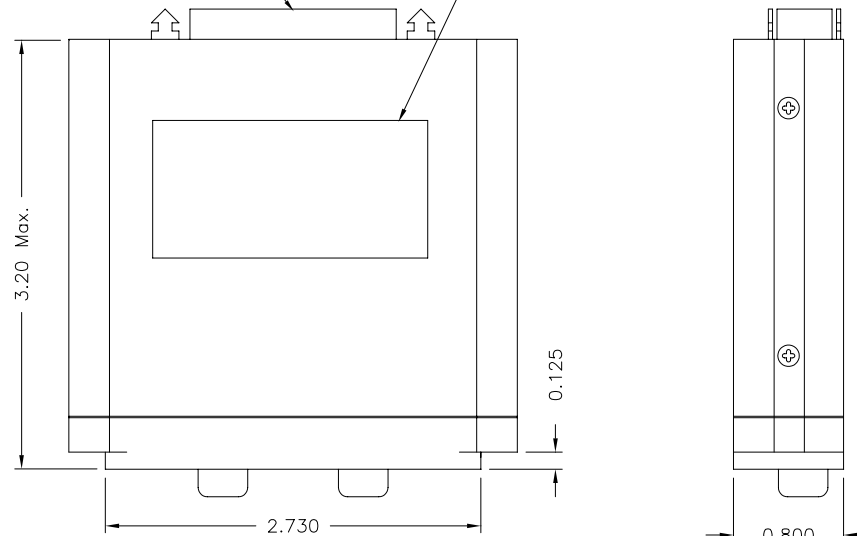
NOTES:

- 1) Mating connector:
Mid-Continent P/N 7014517

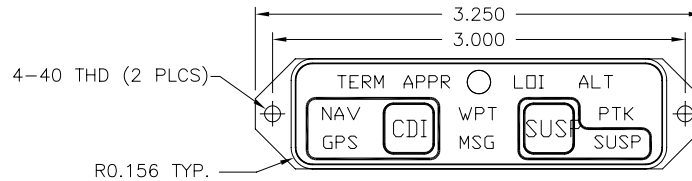
Revisions				
ECO	Rev.	Description	Date	Approved

Logo and company name have been changed in title block only. No functional or technical changes have been made. Revision remains unchanged.

25 Pin D-Sub Connector Nameplate (8012577)



Horizontal Mount



This document discloses proprietary information of Mid-Continent Instrument Co., Inc. It may be reproduced or disclosed only with written permission of Mid-Continent Instrument Co., Inc. and is not to be used in any way detrimental to the interests of Mid-Continent Instrument Co., Inc.

UNLESS OTHERWISE SPECIFIED ALL DIMENSIONS ARE IN INCHES TOLERANCE: FRACTIONAL = ±1/64 .XX = ±.020 .XXX = ±.010 .XXXX = ±.002 ANGULAR = ±0.5° CONCENTRICITY: .005 TIR BREAK ALL SHARP EDGES THREADS PER MIL-S-7742 SURFACE ROUGHNESS — — — ✓	DRAWN	D. Tran	6/9/03
	APPROVED	Sch	7/16/03
	TOP LEVEL ASSY:	9015664	
	USED ON:		
	END ITEM:		
	CODE IDENT. NO.: 59742		



TITLE: ANNUNCIATION CONTROL UNIT PART NUMBER: MD41-1748(5V)

SCALE: None

SHEET 1 of 1