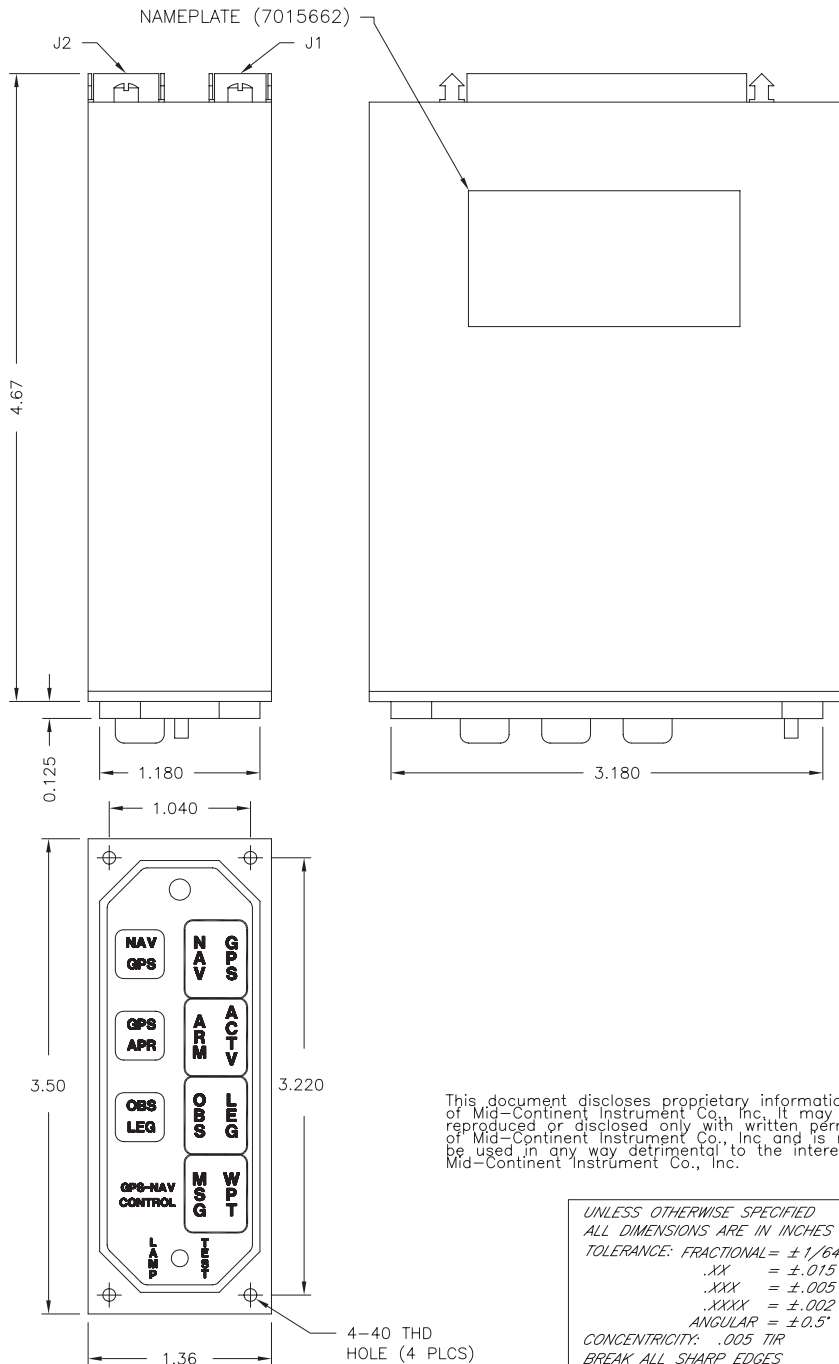
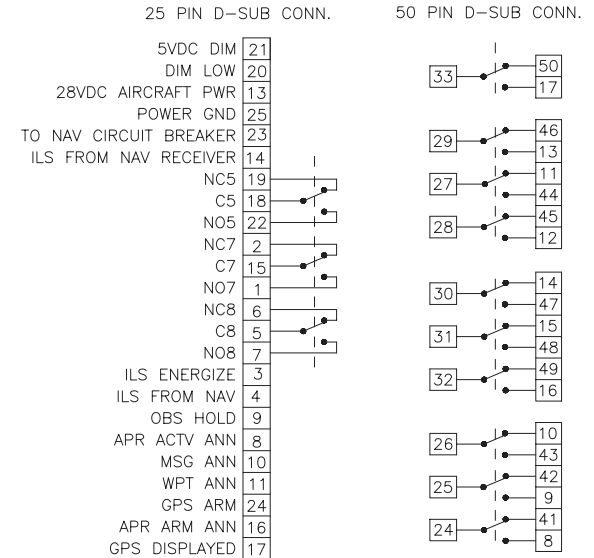


Revisions				Date	Approved
ECO	Rev.	Description			

Logo and company name have been changed in title block only. No functional or technical changes have been made. Revision remains unchanged.



This document discloses proprietary information of Mid-Continent Instrument Co., Inc. It may be reproduced or disclosed only with written permission of Mid-Continent Instrument Co., Inc. and is not to be used in any way detrimental to the interests of Mid-Continent Instrument Co., Inc.



SPECIFICATIONS:

- TSO Compliance: TSO C129
Applicable Documents: RTCA DO-160C, DO-208
- Operating Temperature Range: -55°C to +70°C
- Humidity: 95% Non-Condensing.
- Altitude Range: 0 to 55,000 ft.
- Vibration: Cat. M and N.
- Operational Shock: Rigid Mounting, 6G Operational 15G Crash Safety.
- Controls:
NAV/GPS: Alternate action switch.
GPS/APR: Momentary action switch.
OBS/LEG: Alternate action switch.
- Annunciations and colors:
NAV: white OBS: white
GPS: green LEG: green
ARM: white MSG: amber
ACTV: green WPT: amber
- Overall color shall be black.
- Weight shall be 0.75 lbs.
- Electrical Specifications:
MD41-338(5V) (28VDC) 0.40 Amp.
Relay Contact Current Rating 2 Amp. DC
Available Relay Poles (SPDT) 19

(All relays shown in NAV position, for installation information refer to manual number 7016074).

Notes:

- Mating connectors:
For J1: 25 pin female Positronic P/N RD25F10JVLO (MCI P/N: 7014517).
For J2: 50 pin female Positronic P/N RD50F10JVLO (MCI P/N: 7014509).

UNLESS OTHERWISE SPECIFIED
ALL DIMENSIONS ARE IN INCHES
TOLERANCE: FRACTIONAL = ±1/64
.XX = ±.015
.XXX = ±.005
.XXXX = ±.002
ANGULAR = ±0.5°
CONCENTRICITY: .005 TIR
BREAK ALL SHARP EDGES
THREADS PER MIL-S-7742

DRAWN	J. Reed	12/18/01
APPROVED	Sch	12/18/01
TOP LEVEL ASSY:	8012257-14	
USED ON:		
END ITEM:		
CODE IDENT. NO.:	59742	

		TITLE:	Annunciation Control Unit	PART NUMBER:	MD41-338(5V)
SCALE:	None	DO NOT SCALE THIS DRAWING		SHEET 1 of 1	