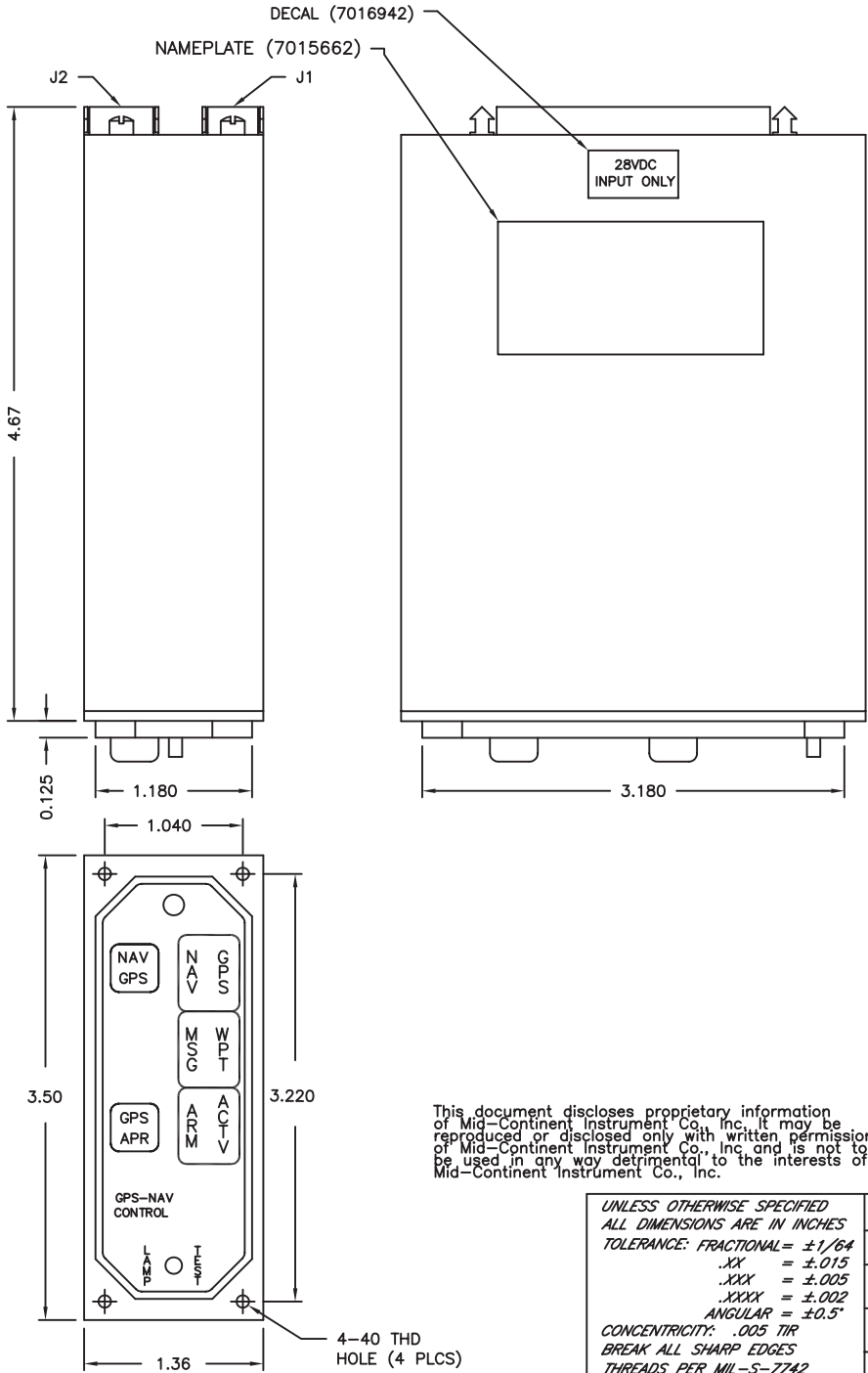
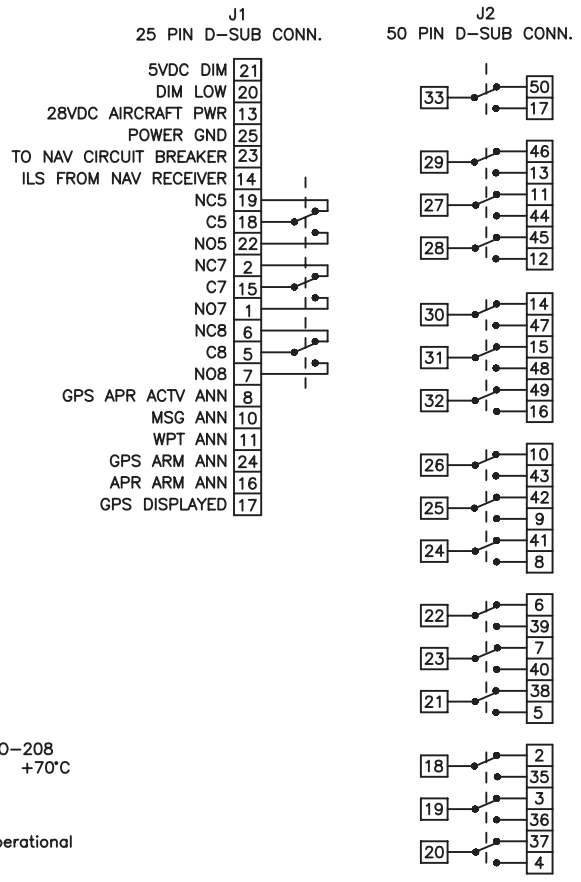


Revisions				Date	Approved
ECO	Rev.	Description			
3027	A	Remove middle button from top view.		1/8/03	JBR/ScH

Logo and company name have been changed in title block only. No functional or technical changes have been made. Revision remains unchanged.



This document discloses proprietary information of Mid-Continent Instrument Co., Inc. It may be reproduced or disclosed only with written permission of Mid-Continent Instrument Co., Inc and is not to be used in any way detrimental to the interests of Mid-Continent Instrument Co., Inc.



SPECIFICATIONS:

- TSO Compliance: TSO C129
Applicable Documents: RTCA D0-160C, D0-208
- Operating Temperature Range: -55°C to +70°C
- Humidity: 95% Non-Condensing.
- Altitude Range: 0 to 55,000 ft.
- Vibration: Cat. M and N.
- Operational Shock: Rigid Mounting, 6G Operational 15G Crash Safety.
- Controls:
NAV/GPS: Alternate action switch.
GPS/APR: Momentary action switch.
- Annunciations and colors:
NAV: white ACTV: green
GPS: green MSG: amber
ARM: white WPT: amber
- Overall color shall be black.
- Weight shall be 0.75 lbs.
- Electrical Specifications:
MD41-538(5V) 0.40 Amp.
Relay Contact Current Rating 2 Amp. DC
Available Relay Poles (SPDT) 19

(All relays shown in NAV position, for installation information refer to manual number 8016297).

Notes:
1) Mating connectors:
For J1: 25 pin female Positronic P/N RD25F10JVLO (MCI P/N: 7014517).
For J2: 50 pin female Positronic P/N RD50F10JVLO (MCI P/N: 7014509).

UNLESS OTHERWISE SPECIFIED ALL DIMENSIONS ARE IN INCHES TOLERANCE: FRACTIONAL = ±1/64 .XX = ±.015 .XXX = ±.005 .XXXX = ±.002 ANGULAR = ±0.5° CONCENTRICITY: .005 TIR BREAK ALL SHARP EDGES THREADS PER MIL-S-7742 SURFACE ROUGHNESS _____ ✓	DRAWN	J. Reed	1/4/02
	APPROVED	ScH	1/4/02
	TOP LEVEL ASSY:	8017858-6	
	USED ON:		
	END ITEM:		
	CODE IDENT. NO.:	59742	

TITLE: Annunciation Control Unit	PART NUMBER: MD41-538(5V)
SCALE: None	DO NOT SCALE THIS DRAWING
SHEET 1 of 1	