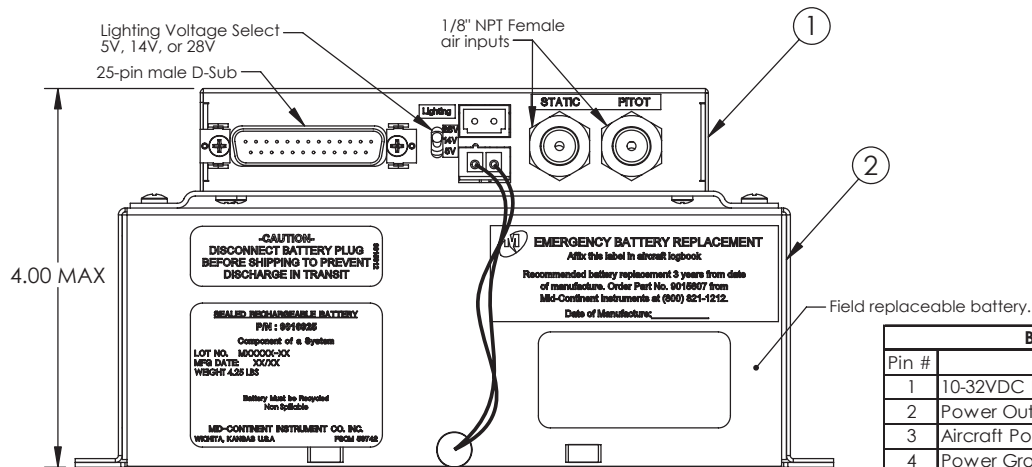
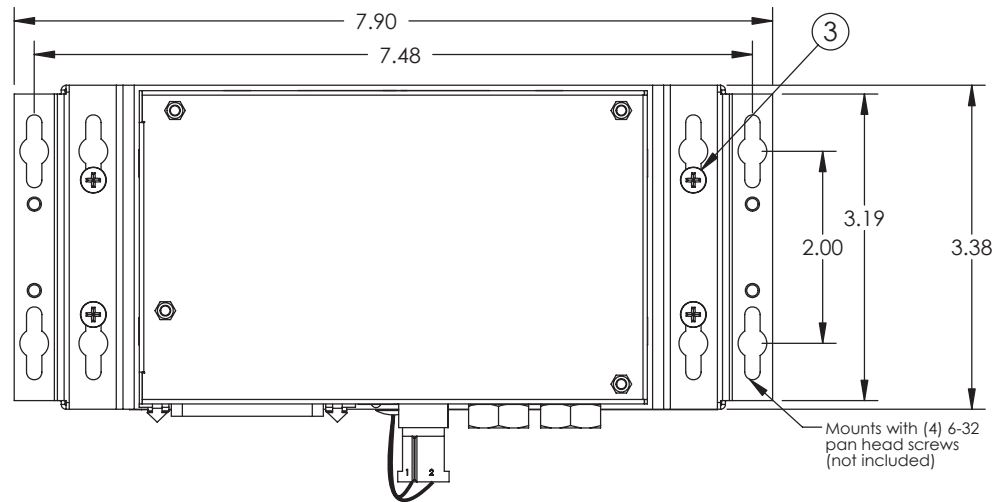


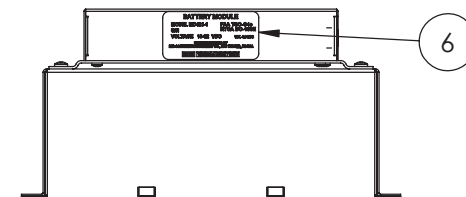
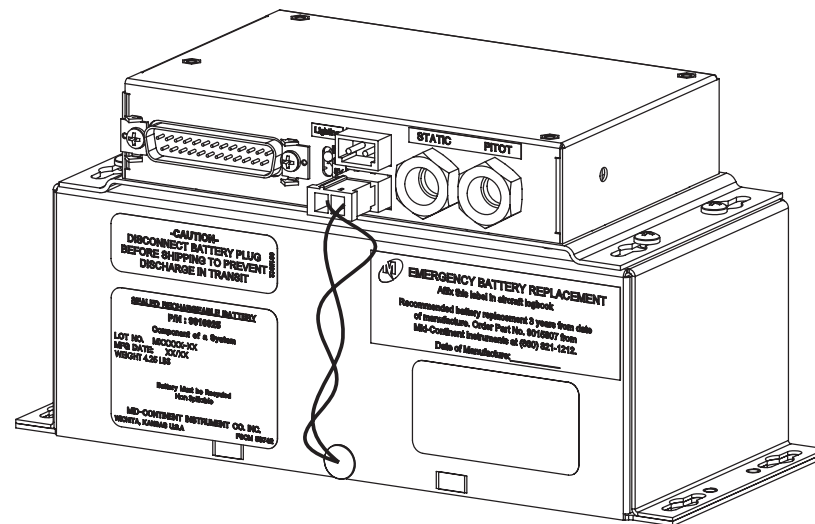
Configuration

Dash #



Revision		ECO	Rev.	Description	Date	Approved
			1	Preliminary release.	8/14/09	BAW
			A	Initial Release	10/12/09	BAW/JDS

Logo and company name have been changed in title block only. No functional or technical changes have been made. Revision remains unchanged.



SPECIFICATIONS	
Power Input	10 to 32 VDC
Input Current Rating	0.25A (nominal) 4.0A/2.0A (max; 14V/28V input)
Power Output	18V nominal @ 1.8A max
Battery Capacity	2.5 Ah (0.1C) at 25°C
Weight	4.9 lbs
Certification	FAA TSO-C4c and RTCA DO-160E RTCA DO160E Environmental Category D1S2AER(B1G)XXXXXXZA[ZC][WF]M[A3H33]XXAX
Mating Connector	MD25F20JVLO 25-pin D-Sub female or equivalent
Battery Charging	Automatic recharging when main power is present
Compatibility	Provides primary backup power output (18V nominal) and three independent lighting outputs (5, 14, or 28V).
(When used with MD422)	

BATTERY MODULE PINOUT			
Pin #		Pin #	
1	10-32VDC Power Input	14	Reserved
2	Power Out	15	Reserved
3	Aircraft Power Ground	16	Reserved
4	Power Ground	17	Reserved
5	Aircraft Ltg Bus	18	Air Switch
6	Standby Ltg Bus	19	Annun. Green
7	Standby Ltg Bus	20	Annun. Red
8	Standby Ltg Bus	21	Annun. Yellow
9	Aircraft Ltg Ground	22	Annun. White
10	Standby Ltg Ground	23	STBY PWR Switch
11	Standby Ltg Ground	24	Annun. Sensor
12	Standby Ltg Ground	25	Annun. Ground
13	Reserved		

Item	Qty	Part Number	Description
1	1	9016226-1	Base Assembly, MD420-1
2	1	9016925	Battery Module, MD421-1
3	4	90-608-00011	Screw 6-32X1/4 Pan Phil Blk
4	2	P-18	Plug, Air Port
5	1	9016498	Labels, MD421
6	1	9010026-4	Nameplate
7	1	DCC-13	Cover, 25 Pin D-Sub
8	1	7014517	Connector Kit, 25 Pin

UNLESS OTHERWISE SPECIFIED, ALL DIMENSIONS ARE IN INCHES.  
TOLERANCE:  
FRACTIONAL=±1/64  
.XX=±0.015  
.XXX=±0.005  
.XXXX=±0.002  
ANGULAR=±0.5°  
CONCENTRICITY: 0.005 TIR  
BREAK ALL SHARP EDGES  
THREADS PER MIL-S-7742

DRAWN:  
BAW  
8/14/2009  
APPROVED:  
JDS  
10/12/2009

This document discloses proprietary information of Mid-Continent Instrument Co. It may be reproduced or disclosed only with written permission of Mid-Continent Instrument Co. and is not to be used in any way detrimental to the interests of Mid-Continent Instrument Co.



TITLE: <b>Battery Module, MD421-1</b>		PART NUMBER: <b>MD421-1</b>
SCALE: 2:5	DO NOT SCALE THIS DRAWING	SHEET: 1 of 1