



MD-90

## MD-90 Series

### Precision Quartz Clock

Manufactured by Mid-Continent Instruments and Avionics

THE MD-90 SERIES IS DESIGNED FOR ACCURACY AND IS TRUSTED BY MANY AIRCRAFT MANUFACTURERS AND OWNERS.

Accurate time-keeping is important to an instrument pilot, and it is a requirement that a timepiece with a sweep second pointer be on board the airplane. The MD-90 Series Precision Quartz Clock is the ideal solution.

The 2-inch MD-90 Series features extremely low current draw, transient and reverse polarity protection. Each clock is manufactured to meet rugged aircraft environmental standards. With a high-quality, solid-state quartz movement and a variety of lighting options, a 12-hour analog clock is an essential part of any instrument panel.

- Precision quartz movement
- Compact 2-inch size – fits standard panel cutout
- Lighted version available with field-replaceable light tray
- Transient and reverse polarity protected
- Original equipment for many major aircraft manufacturers
- Low power consumption (3 mA)
- Continuously powered by aircraft battery
- FAA PMA certified
- Designed and built in Wichita, Kansas, USA
- One-year limited warranty

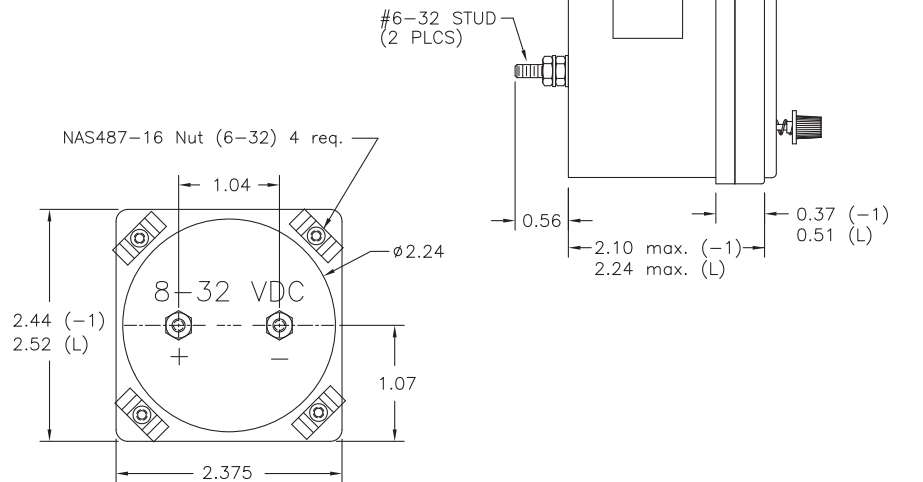
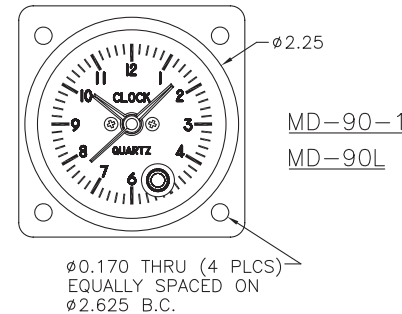
# MD-90 Series Precision Quartz Clocks

Manufactured by Mid-Continent Instruments and Avionics



## SPECIFICATIONS

|               |                                         |
|---------------|-----------------------------------------|
| Power Input   | 8-32 VDC<br>3 mA max (without lighting) |
| Accuracy      | ±30 seconds in 24 hrs                   |
| Dimensions    | 2.5 x 2.5 x 3.2 inches max              |
| Weight        | 0.5 lbs                                 |
| Temperature   | -40°C to +82°C (-40°F to +180°F)        |
| Altitude      | -1,000 to +55,000 ft                    |
| Humidity      | 0 to 95% at 25°C                        |
| Vibration     | 02 in. dbl. ampl., 1.5g @ 5 to 50 Hz    |
| Certification | FAA PMA                                 |
| Mounting      | Front or rear-panel mounted             |
| Connector     | #6-32 threaded terminals                |



| PART NUMBER | CONFIGURATION     |
|-------------|-------------------|
| MD-90-1     | 8-32 VDC          |
| MD-90L      | 8-32 VDC, Lighted |