

# TRUE BLUE POWER®

A division of Mid-Continent Instrument Co., Inc.



## Lithium Emergency Power Supply

### TS835 Series

Manufactured by Mid-Continent Instruments and Avionics

The TS835 Series is the industry's first lithium emergency power supply to be TSO C179 certified.



The TS835 Series features an advanced Nanophosphate® lithium-ion cell chemistry that offers distinct advantages over older, lead-acid designs. This includes a 66% weight savings, reduced maintenance costs and an improved 10-year life expectancy.

The emergency power supply automatically provides 24.5 VDC power for critical or standby equipment in the event of aircraft power failure. The TS835-5 includes an integrated 5V output.

#### Product features

CAPACITY	4.5 amp-hour battery nominal
WEIGHT	4.7 lbs — 8 pounds lighter than legacy lead-acid designs
TECHNOLOGY	Advanced Nanophosphate® lithium-ion cell chemistry from A123 Systems, Inc.
INPUT VOLTAGE	24 – 32 VDC
OUTPUT VOLTAGE	24.5 VDC nominal, 20 amps max The TS835-5 adds 3.0 – 5.5 VDC adjustable lighting output, 5.0 amps max
MAINTENANCE SCHEDULE	2 years
LIFE EXPECTANCY	10 years
DIRECT REPLACEMENT	L-3 Avionics/JET PS-835 or PS-855 (same rack mount and connector)
RECHARGING	Maintains full charge by recharging during normal flight operations
DESIGNED AND MANUFACTURED	Wichita, Kansas, USA
WARRANTY	Two-year limited

#### Kansas

9400 East 34th Street North  
Wichita, Kansas 67226 USA  
Tel 316.630.0101 800.821.1212  
Fax 316.630.0723  
ks.tbpservice@mcico.com

#### California

16320 Stagg Street  
Van Nuys, California 91406 USA  
Tel 818.786.0300 800.345.7599  
Fax 818.786.2734  
ca.tbpservice@mcico.com

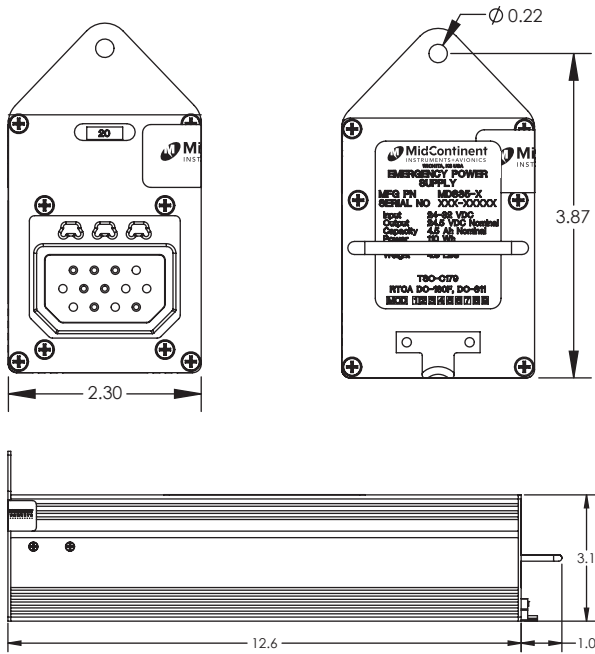
[truebluepowerusa.com](http://truebluepowerusa.com)



# Lithium Emergency Power Supply

## TS835 Series

Manufactured by Mid-Continent Instruments and Avionics

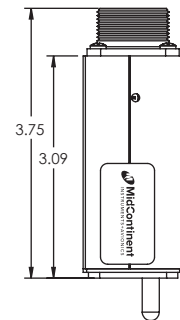
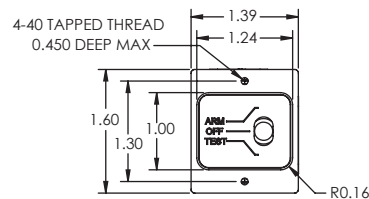


### Technical specifications

CAPACITY	4.5 amp-hour battery nominal
INPUT	24 – 32 VDC, 7.0 amps max
OUTPUT	24.5 VDC nominal, 20 amps max The TS835-5 adds 3.0 – 5.5 VDC adjustable lighting output, 5.0 amps max
WEIGHT	4.7 lbs — 8 pounds lighter than legacy lead-acid designs
DIMENSIONS	3.1" H x 12.6" L x 2.3" W (approximate)
LIFE EXPECTANCY	10 years
PROTECTION	Field-replaceable fuse
MATING CONNECTOR	DPXB13-33S-0001
RACK MOUNT INSTALLATION	1/4 ATR rack
REMOTE TEST SWITCH	Remote-mounted self-test switch required MCI P/N 9017176 or equivalent
CASE	Anodized aluminum, blue
CERTIFICATION	FAA TSO C179 certified Part 23 AML STC certified RTCA/DO-160F qualified RTCA/DO-311 qualified

### Remote test switch specifications

POWER INPUT	28 VDC, 15 amps max
LIGHTING	LED
WEIGHT	0.35 lbs
TEMPERATURE	-55°C to 70°C
ALTITUDE	0 to +55,000 ft
MATING CONNECTOR	MS3106F1-6S-1S
CASE	Anodized aluminum, black



Remote-mounted test switch

### Product comparison

	Battery Technology	Voltage Output	Capacity (1C rate)	Weight	Maintenance	Life Expectancy
TS835-1, TS835-5	Lithium-ion	24.5 VDC	4.5 amp-hours	4.7 lbs	2 years	10 years
PS-835, PS-855	Lead-acid	24.0 VDC	4.2 amp-hours	13.0 lbs	1 year	3 years