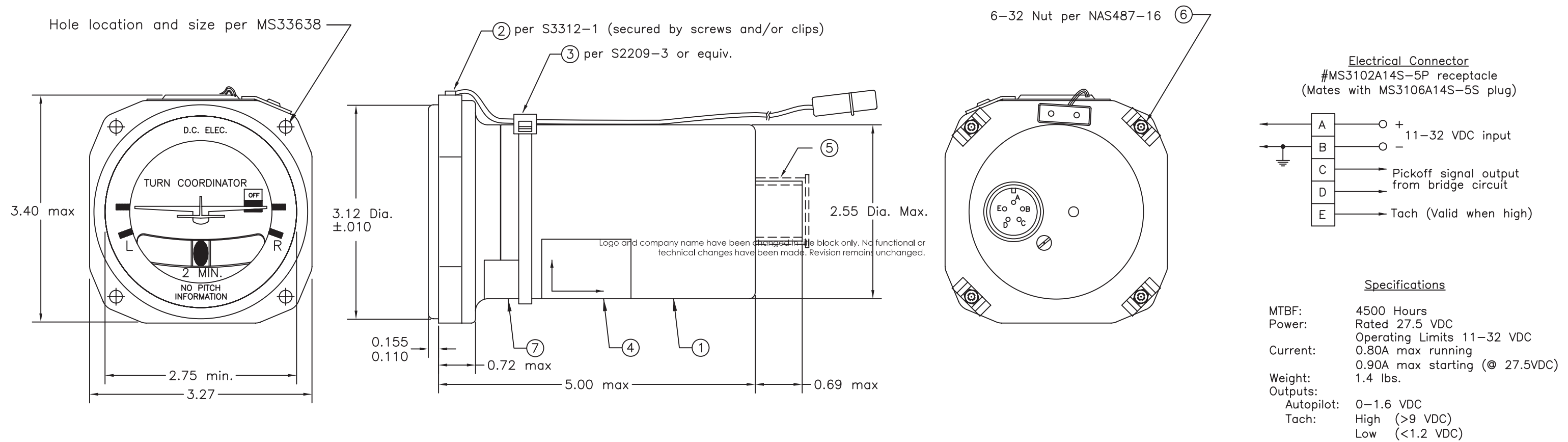


		Revisions		
ECO	Rev.	Description	Date	Approved
	A	Initial release. See 1394T100-10RA for unit history.	4/17/06	BAW/ScH
4643	B	Turn Coordinator Assembly p/n was 1394560-10RB.	6/19/06	BAW/ScH

Logo and company name have been changed in title block only. No functional or technical changes have been made. Revision remains unchanged.



- Note:
- Case and bezel are black. Faceplate markings are white (#37875) on black background (#37038) per FED-STD-595b. Faceplate text shall be Universal Bold font, except condensed spacing by 0.004". The letters "L" & "R" shall be 0.140 high, "2 MIN" shall be 0.120 high, "TURN COORDINATOR" shall be 0.100 high, "DC ELEC" & "NO PITCH INFORMATION" shall be 0.080 high. Index marks are 0.200 long by 0.091 wide.
 - Conforms per FAA-TSO C3b.
 - Cover glass is anti-reflective coated (HEA).
 - Lighting 28 volt lamps with blue/white boots. (External light wires)
 - Instrument must be mounted in a panel within 5' of vertical, perpendicular within 5' to the longitudinal flight axis and parallel within 5' of the lateral flight axis.
 - Attach nameplate in lower two quadrants of case. Nameplate includes connector pinout information: Pin "A" POS, "B" ACFT GND, "C" OUTPUT, "D" OUTPUT, "E" TACH.
 - Inclinometer is 0.300 dia. dark grey (FED-STD-595B Color #26081 or darker) ball in a liquid filled tube with white background.
 - Functional test per TDS319.
 - Conforms to gimbal damping specification TS173.
 - Split red/black flag shows all black while unit is operating normally.
 - Applicable Cessna inspection spec is CES-1210K, paragraphs 1, 3.1, 4.1, 4.1.3, 4.1.4, 4.1.5.
 - This document may not be revised without approval from Cessna Engineering.

Specifications

MTBF: 4500 Hours
 Power: Rated 27.5 VDC
 Operating Limits 11-32 VDC
 Current: 0.80A max running
 0.90A max starting (@ 27.5VDC)
 Weight: 1.4 lbs.
 Outputs:
 Autopilot: 0-1.6 VDC
 Tach: High (>9 VDC)
 Low (<1.2 VDC)

Item	Qty	Part Number	Description
1	1	9016353-6	Turn Coordinator Assembly
2	1	7016637	External Light Tray, 28V
3	1	1394510	Cable Tie
4	1	1394256-4	Nameplate
5	1	8012486-14	Connector, Cover
6	4	6013031	Tinnerman Nut
7	1	6018956	Decal, Warranty

UNLESS OTHERWISE SPECIFIED, ALL DIMENSIONS ARE IN INCHES. TOLERANCE: FRACTIONAL=±1/64 .XX=±0.015 .XXX=±0.005 .XXXX=±0.002 ANGULAR=±0.5° CONCENTRICITY: 0.005 TIR BREAK ALL SHARP EDGES THREADS PER MIL-S-7742	DRAWN: BAW 1/4/06	This document discloses proprietary information of Mid-Continent Instrument Co. It may be reproduced or disclosed only with written permission of Mid-Continent Instrument Co. and is not to be used in any way detrimental to the interests of Mid-Continent Instrument Co.	
	APPROVED: ScH 4/17/06		