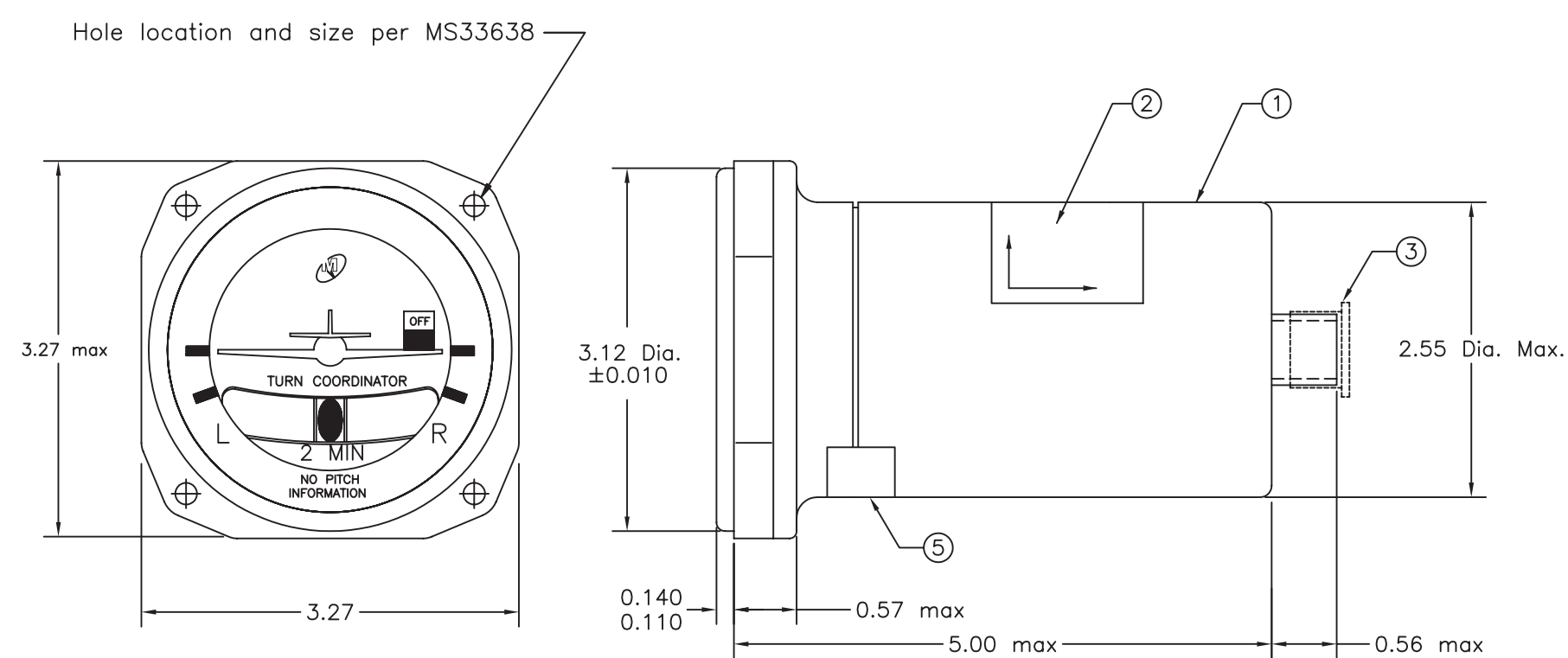


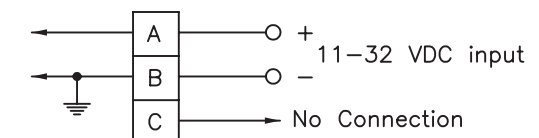
Revisions				
ECO	Rev.	Description	Date	Approved
	A	Initial release. See 1394T100-A for unit history.	10/4/05	BAW/ScH
4643	B	Turn Coordinator Assembly p/n was 1394560-7B.	6/19/06	BAW/ScH
5037	C	Add "M" logo and delete "D.C. ELEC." Delete part of Note 2 referencing D.C. ELEC.	6/3/08	MKN/ScH

Logo and company name have been changed in title block only. No functional or technical changes have been made. Revision remains unchanged.



6-32 Nut per NAS487-16
(4 required, not supplied)

Electrical Connector
#MS3102A10SL-3P receptacle
(Mates with MS3106-10SL-3S plug)



Specifications

MTBF: 4500 Hours
 Power: Rated 13.75 or 27.5 VDC
 Operating Limits 11-32 VDC
 Current: 0.55A max running
 0.80A max starting
 Weight: 1.4 lbs.

- Note:
- 1) Conforms per FAA-TSO C3b.
 - 2) Case and bezel are black.
Faceplate markings are white (#37875) on black background (#37038) per FED-STD-595b;
Faceplate text shall be per MS33558 font.
 - 3) Cover glass is non-coated.
 - 4) Instrument must be mounted in a panel within 5° of vertical, perpendicular within 5° to the longitudinal flight axis and parallel within 5° of the lateral flight axis.
 - 5) Attach nameplate as shown unless otherwise specified.
 - 6) Inclinometer is 0.300 dia. dark grey (FED-STD-595B Color #26081 or darker) ball in a liquid filled tube with white background.
 - 7) Functional test per TDS314.
 - 8) Split red/black flag shows all black while unit is operating normally.

Item	Qty	Part Number	Description
1	1	9016353-3	Turn Coordinator Assembly
2	1	1394256-6	Nameplate
3	1	8012486-10	Connector, Cover
4	1	1394515	Decal, Vertical Panel
5	1	6018956	Decal, Warranty

UNLESS OTHERWISE SPECIFIED, ALL DIMENSIONS ARE IN INCHES. TOLERANCE: FRACTIONAL=±1/64 .XX=±0.015 .XXX=±0.005 .XXXX=±0.002 ANGULAR=±0.5° CONCENTRICITY: 0.005 TIR BREAK ALL SHARP EDGES THREADS PER MIL-S-7742	DRAWN: BAW 10/4/05	This document discloses proprietary information of Mid-Continent Instrument Co. It may be reproduced or disclosed only with written permission of Mid-Continent Instrument Co. and is not to be used in any way detrimental to the interests of Mid-Continent Instrument Co.	
	APPROVED: ScH 11/16/05		
SCALE: None		DO NOT SCALE THIS DRAWING	
		SHEET 1 of 1	