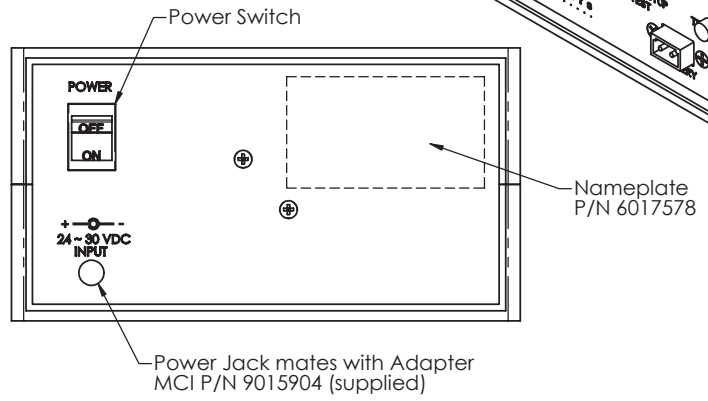
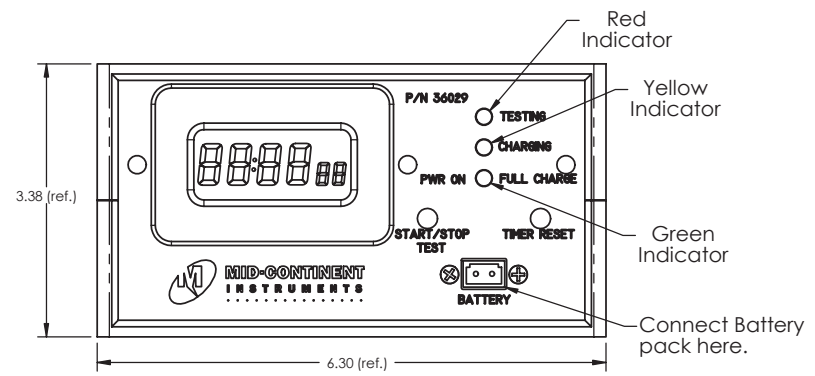
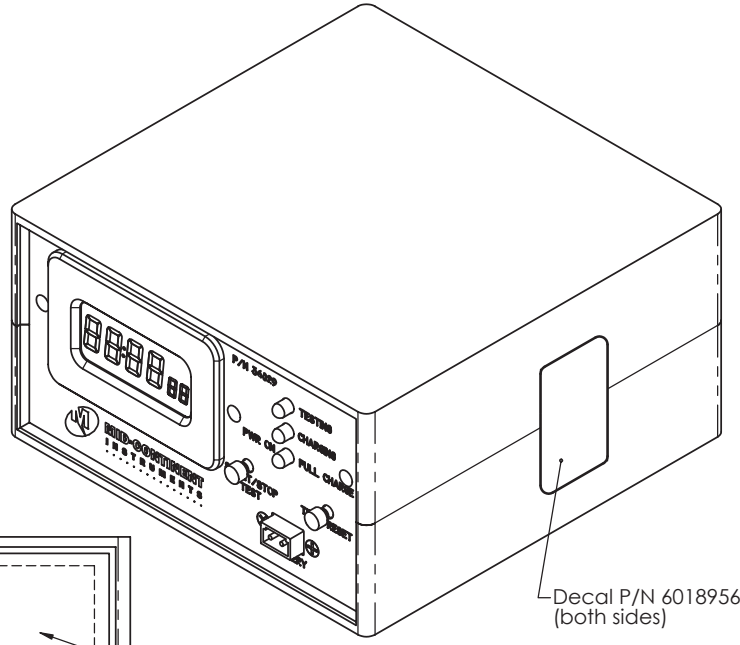
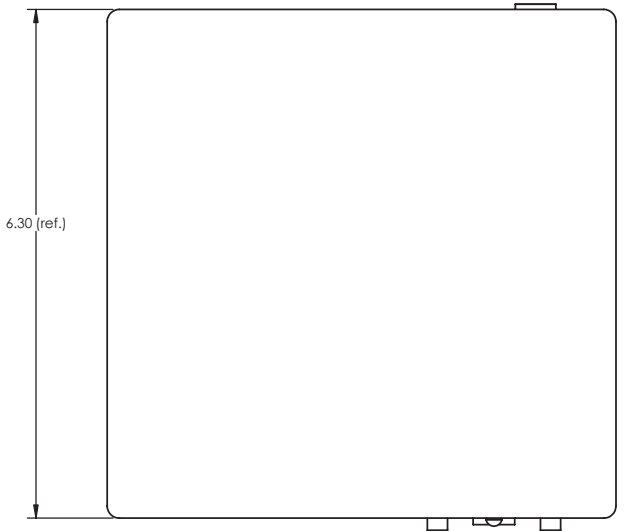


Configuration	
Dash #	

Revision				
ECO	Rev.	Description	Date	Approved
	A	Initial release.	5/21/04	NHK/SCH
4075	B	Input was 100-240VDC. Revise front panel view. Update to new title block.	6/18/04	NHK/BAW



Note:

- 1) The MCI Battery Charger & Tester Box is to be used with MCI's Battery pack 9015607 only.
- 2) The charging circuit allows the user to charge Battery pack in any condition. Once full charge has been reached, the user can proceed to run the Battery condition test by pushing the "Start/Stop Test" button once, or leave the battery connected to automatically maintain a full charge. See product manual 9015914 for more details and complete operation instructions.
- 3) Fully charging a Battery Pack in good condition may require up to 9 hours.
- 4) Built in voltage protection circuit.
- 5) Weight: 1.40 lb max.
- 6) Input Power: 24-30 VDC, 0.25A max.
- 7) Switching Power Supply/AC Adaptor (MCI P/N 9015904) is supplied. (Input: 100-240VAC, 50/60Hz 30VA, Output: 24 VDC, 0.5A).

Logo and company name have been changed in title block only. No functional or technical changes have been made. Revision remains unchanged.

<small>UNLESS OTHERWISE SPECIFIED, ALL DIMENSIONS ARE IN INCHES. TOLERANCE: FRACTIONAL=±1/64 XX=±0.015 XXX=±0.005 XXXX=±0.002 ANGULAR=±0.5° CONCENTRICITY: 0.005 TIR BREAK ALL SHARP EDGES THREADS PER MIL-S-7742</small>	<small>DRAWN:</small> N. Kow 1/20/2004	<small>This document discloses proprietary information of Mid-Continent Instrument Co. It may be reproduced or disclosed only with written permission of Mid-Continent Instrument Co. and is not to be used in any way detrimental to the interests of Mid-Continent Instrument Co.</small>		<small>PART NUMBER:</small> 36029	
	<small>APPROVED:</small> BAW 8/9/2004				<small>TITLE:</small> Charger & Tester Box
	<small>SCALE:</small> 1.3:2				<small>DO NOT SCALE THIS DRAWING</small>