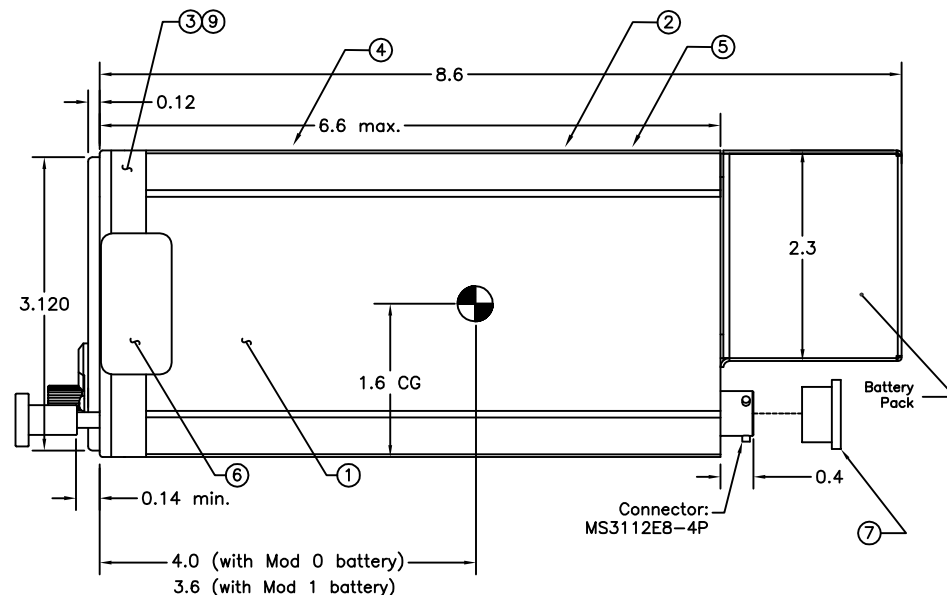
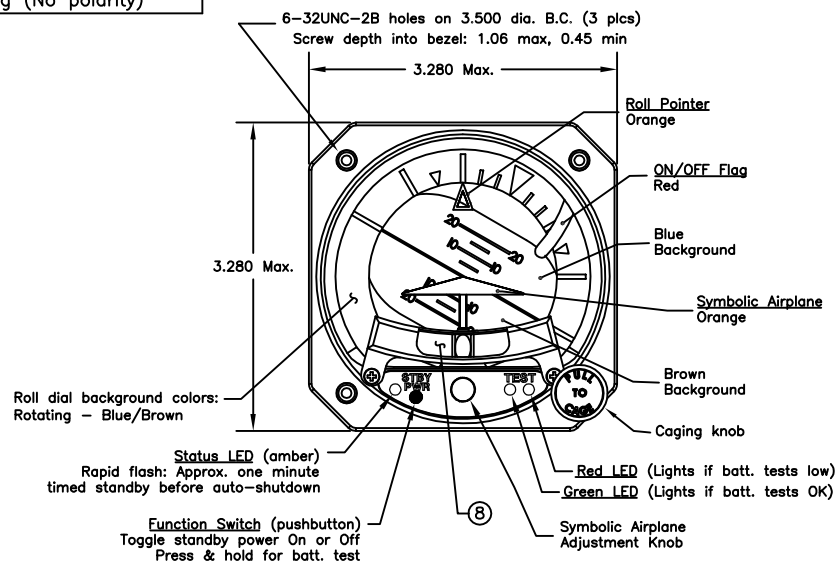


Configuration			
Dash #	Input Voltage	Roll Dial	Symbolic Airplane
-215	10-32	Rotating	Delta

Revisions				
ECO	Rev.	Description	Date	Approved
	A	Initial release, replaces 4300-205.	04/24/08	Sch/MCH
6905	B	Changed CG with battery, corrected battery height.	04/20/18	MEK/Sch

OPTIONS TABLE	
Panel Tilt Calib.	7.5°
Lighting Voltage	28V (9015640-3)
Lighting Color	Blue/White

10V to 32V Connector Pinout	
A	Ground (DC)
B	Lighting (No polarity)
C	+10VDC to 32VDC Input
D	Lighting (No polarity)



Note:

- Current ratings:
(at 14 VDC) start 1.8A Max, run 0.55A nominal $\pm 15\%$.
(at 27.5 VDC) start 0.9A Max, run 0.27A nominal $\pm 15\%$.
- User replaceable light tray wired through rear connector.
- Meets requirements of FAA TSO C4c.
- MTBF 7500 hours.
- Components qualified to RTCA DO-160E Env. Cat. C1BAB[(SBM)(RBB1)]XXXXXXXXZZAZZ[WF]M[A3H33]XXA.
- Connector: MS3112E8-4P. Mates with: MS3116F8-4S or equivalent (not supplied).
- Cover glass is HEA (anti-reflective) coated.
- Weight (incl. battery): 3.7 lbs.
- Seam to be covered with acetate tape for dust protection.
- Rotating Roll Dial background is Blue/Brown with White index marks.
- Bezel is black.
- Run time on battery: 45 minutes minimum.
- Automatic switch to internal battery power if main power fails and automatic switch back if main power is restored. Automatic internal LED lighting when running on internal battery.
- Automatic battery charging when main power is on. Recommended battery replacement interval: 3 years (user replaceable).
- This drawing details configuration and options for Hawker Beechcraft (Spec 4300-215 replaces 4300-205). Includes Mods 1 through 4.

Colors (Per Fed-Std-595b)	
Blue	# 35250
Brown	# 30108
Red	# 38905
Black	# 37038
White	# 37875
Orange	Day-Glo Arc Yellow #16

Item#	Qty.	Part #	Description
1	1	9015396-15	Attitude Indicator Assembly
2	1	36024-2	Nameplate
3	A/R	8017360	Acetate tape seal
4	1	6018865	Caution Decal
5	1	36025-1	Options Decal
6	1	6018956	Warranty Decal
7	1	8012486-10YF	Connector Cover
8	1	36023	Slip Indicator
9	1	9015640-3	Light Tray, 28V B/W

DRAWN: S. Haines 04/24/2008	This document discloses proprietary information of Mid-Continent Instrument Co., Inc. It may be reproduced or disclosed only with written permission of Mid-Continent Instrument Co., and is not to be used in any way detrimental to the interests of Mid-Continent Instrument Co., Inc.		
	APPROVED: MCH 04/24/2008	TITLE: Electric Attitude Indicator	
SCALE: None		DO NOT SCALE THIS DRAWING	SHEET 1 of 1