

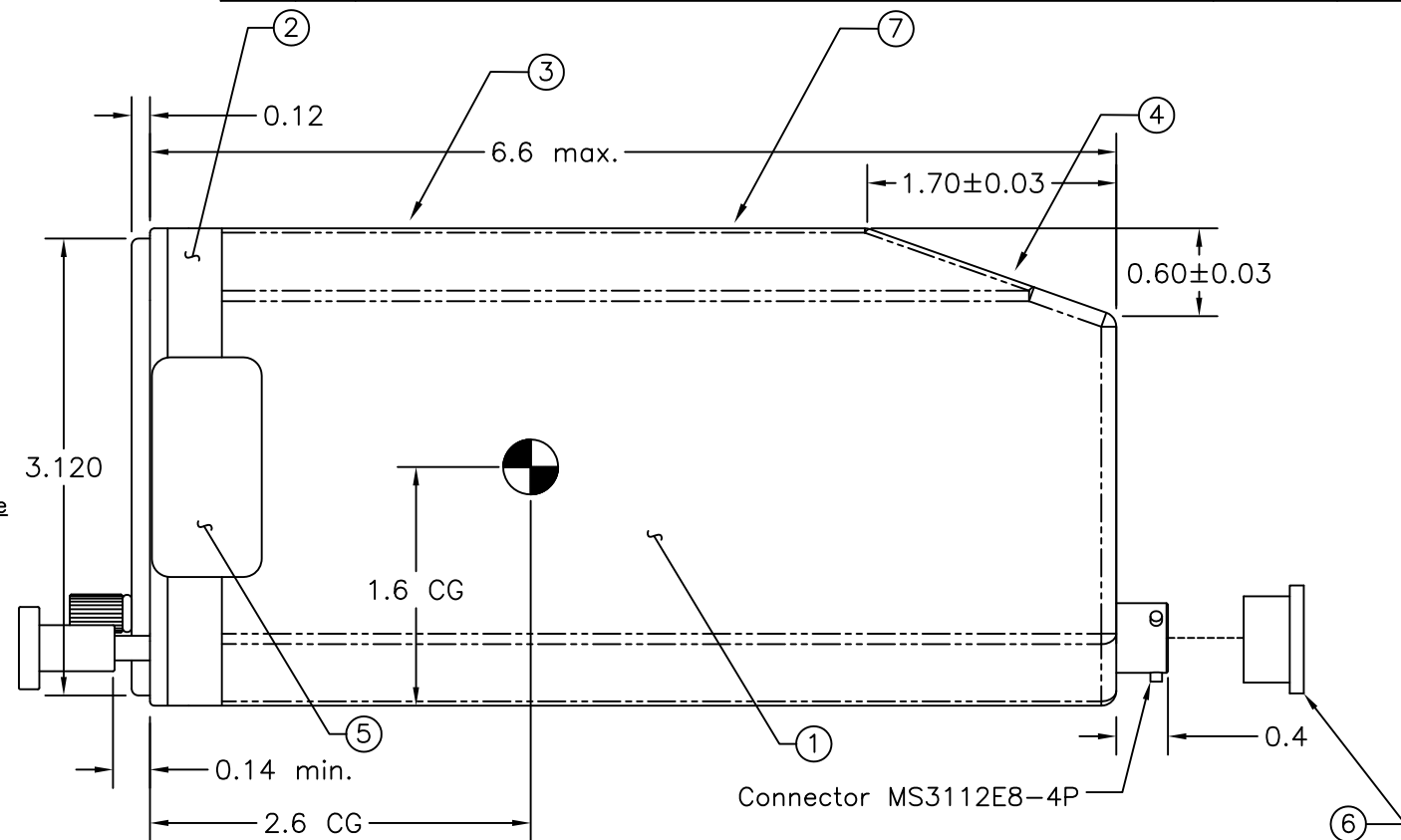
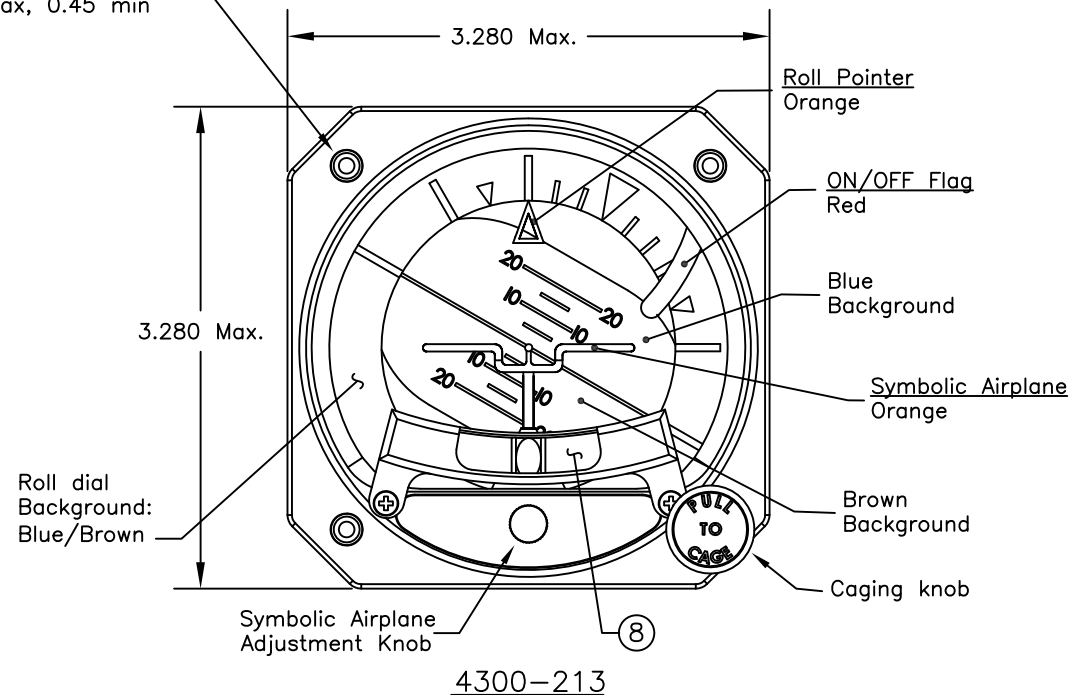
Configuration

Dash #	Input Voltage	Roll Dial	Symbolic Airplane	Panel Tilt	Lighting	Cust. P/N
-203	10 to 32	Rotating	Traditional	11°	Omit	B823-12
-213	10 to 32	Rotating	Traditional	17°	Omit	B823-19

Revisions

ECO	Rev.	Description	Date	Approved
3458	A	"Traditional" Symbolic Airplane was "Straight".	09/30/03	JBR/ScH
4129	B	Move -202 config. to separate dwg, update title block, add BOM.	08/26/04	ScH/BAW
4336	C	Note 4: DO160 Temp/Alt C1 was A2, HERF WW was RR.	05/11/05	JBR/ScH
4966	D	Update DO160 specification from ...[WW]M[A3C3]... to ...[WF]M[A3H33]... Update Robinson Part Number from -3 and -6 to -12.	01/11/08	MKN/ScH
6148	E	Added -213 configuration. Drawing number was 4300-203. Added customer PN column to configuration table.	03/27/14	MKN/TKV
6656	F	Add triangle grads at 45°.	08/15/16	ScH/WVC

6-32UNC-2B holes on 3.500 dia. B.C. (3 plcs)  
Screw depth into bezel: 1.06 max, 0.45 min



10V to 32V Connector Pinout	
A	Ground (DC)
B	+10VDC to 32VDC Input B
C	+10VDC to 32VDC Input C
D	Not Used

Note:

- Current ratings:  
10 to 32 VDC input:  
(at 14 VDC) start 1.5A Max, run 0.55A nominal ±15%.  
(at 27.5 VDC) start 0.7A Max, run 0.27A nominal ±15%.
- Meets requirements of FAA TSO C4c.
- MTBF 7500 hours.
- Qualified to: RTCA DO-160D Env. Cat. C1BAB[(SBM)(RBB1)]XXXXXXZZAZZ[WF]M[A3H33]XXA.
- Connector: MS3112E8-4P. Mates with: MS3116F8-4S or equiv. (not supplied with unit). Optional mating connector kit P/N 9015514 (Straight Strain Relief) or P/N 9015771 (Right Angle Strain Relief).
- Cover glass is HEA (anti-reflective) coated.
- Weight: 2.4 lbs.
- Seam to be covered with acetate tape (8017360) for dust protection.
- Rotating Roll Dial background is Blue/Brown with White index marks.
- Bezel is black.
- This drawing details configuration and options for Robinson Helicopter (P/N per configuration table.)

Colors (Per Fed-Std-595b)	
Blue	# 35250
Brown	# 30108
Red	# 38905
Black	# 37038
White	# 37875
Orange	Day-Glo Arc Yellow #16

Item#	Qty.	Part #	Description
1	1	9015768-1	Attitude Indicator Assembly
2	A/R	8017360	Acetate tape seal
3	1	6018865	Caution Decal
4	1	36025-1	Options Decal
5	1	6018956	Warranty Decal
6	1	8012486-10YF	Connector Cover
7	1	36024-6	Nameplate
8	1	36023	Slip Indicator

UNLESS OTHERWISE SPECIFIED, ALL DIMENSIONS ARE IN INCHES.  
TOLERANCE:  
FRACTIONAL=±1/64  
.XX=±0.015  
.XXX=±0.005  
.XXXX=±0.002  
ANGULAR=±0.5°  
CONCENTRICITY: 0.005 TIR  
BREAK ALL SHARP EDGES  
THREADS PER MIL-S-7742

DRAWN:  
J. Reed  
08/04/2003  
APPROVED:  
ScH  
08/27/2003

This document discloses proprietary information of Mid-Continent Instrument Co., Inc. It may be reproduced or disclosed only with written permission of Mid-Continent Instrument Co., Inc. and is not to be used in any way detrimental to the interests of Mid-Continent Instrument Co., Inc.



TITLE: Electric Attitude Indicator  
PART NUMBER: 4300-2X3  
SCALE: None  
DO NOT SCALE THIS DRAWING  
SHEET 1 of 1