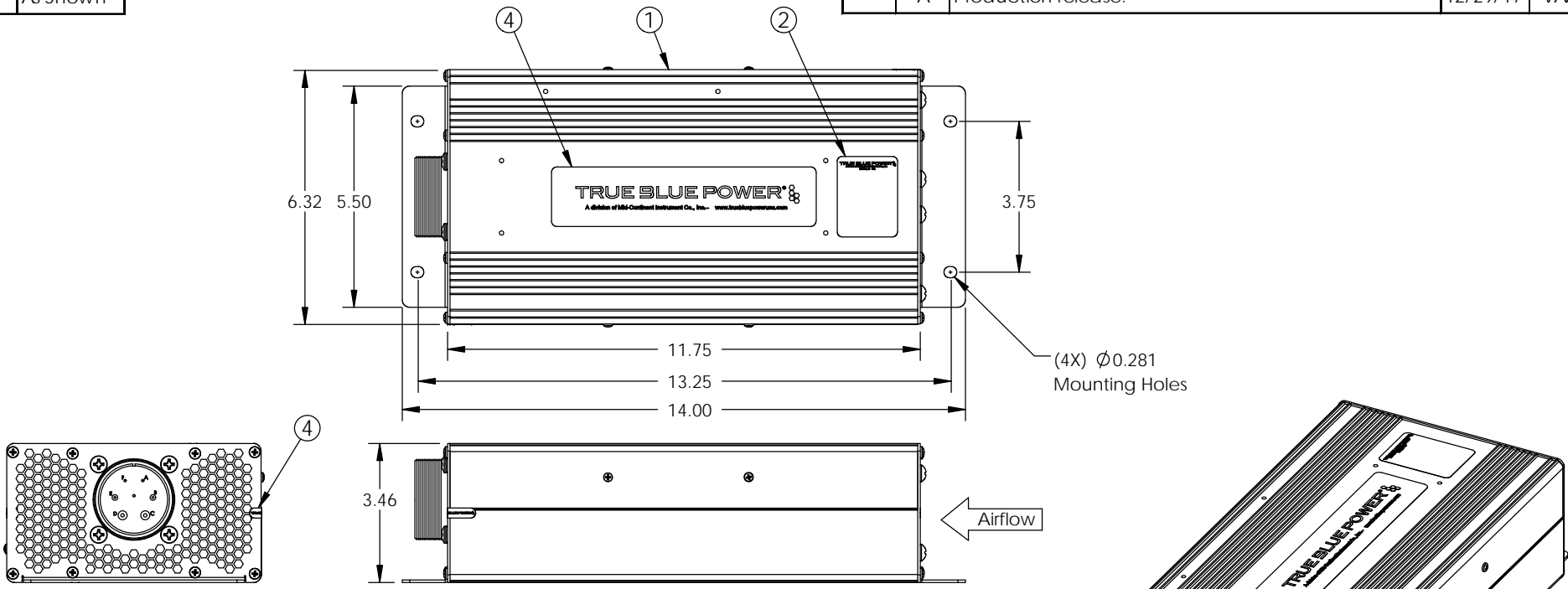


| Configuration |          |
|---------------|----------|
| Dash #        |          |
| -1            | As Shown |

| Revision |      |                     |          |          |
|----------|------|---------------------|----------|----------|
| ECO      | Rev. | Description         | Date     | Approved |
|          | A    | Production release. | 12/29/17 | VAA/BAW  |



| Specifications   |   |
|------------------|---|
| Model Number     | TC2000  |
| Power Input      | 100-250VAC, 47-800 Hz, 1PH, 21 Amps @ 115 VAC             |
| Power Output     | 2000 Watts @ 28 VDC ±0.4                                  |
| Power Factor     | -0.95 to +0.95  |
| Features         | 88-90% Efficient<br>Single Phase Sine Wave, Remote ON/OFF |
| Protection       | Overtemp, Short Circuit, Undervoltage, Overvoltage        |
| Overload         | 110% for 5 minutes  |
| Weight           | 9.9 lbs [4,5 kg]  |
| Qualification    | FAA TSO-C71<br>RTCA DO-160G                               |
| Temperature      | -55°C to +70°C  |
| Altitude         | 35,000 feet [10668 m]                                     |
| Mating Connector | TBP p/n's 9018993-1 and 9018550-2                         |
| Case             | Anodized Aluminum, Blue                                   |

| Connector Pinout |               |
|------------------|---------------|
| A                | Enable        |
| B                | AC IN Line    |
| C                | 28VDC Output  |
| D                | 28VDC Return  |
| E                | AC IN Neutral |
| F                | Sync          |
| G                | Chassis GND   |

| Item | Qty | Part Number | Description             |
|------|-----|-------------|-------------------------|
| 1    | 1   | 9019070     | Assy, Converter, TC2000 |
| 2    | 1   | 9017130     | Label, True Blue Power  |
| 3    | 1   | 9019053     | Nameplate, TC2000       |
| 4    | 2   | 6018956-1   | Decal, Warranty         |

UNLESS OTHERWISE SPECIFIED, ALL DIMENSIONS ARE IN INCHES.  
TOLERANCE:  
FRACTIONAL=±1/64  
.XX=±0.015  
.XXX=±0.005  
.XXXX=±0.002  
ANGULAR=±0.5°  
WEIGHT N.T.E. +5%  
BREAK ALL SHARP EDGES  
THREADS PER MIL-S-7742

DRAWN:  
VAA  
12/28/2017  
  
APPROVED:  
BAW  
12/29/2017

This document discloses proprietary information of Mid-Continent Instrument Co., Inc. It may be reproduced or disclosed only with written permission of Mid-Continent Instrument Co. and is not to be used in any way detrimental to the interests of Mid-Continent Instrument Co., Inc.

TITLE:  
Converter, 2000W, AC to DC  
SCALE: 1:3.5

**TRUE BLUE POWER**  
A Division of Mid-Continent Instrument Co., Inc.

PART NUMBER:  
6432001

DO NOT SCALE THIS DRAWING

SHEET: 1 of 1