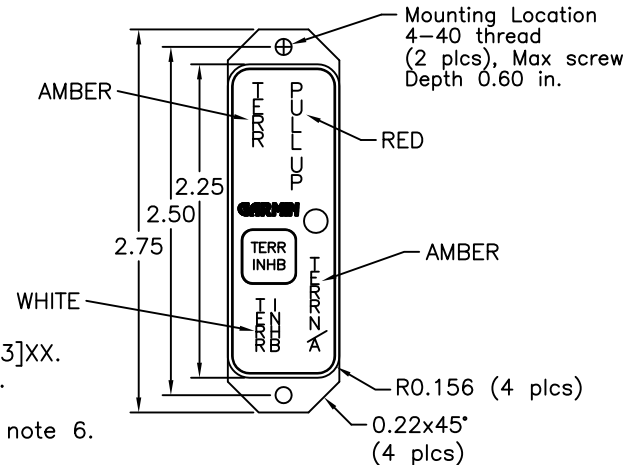
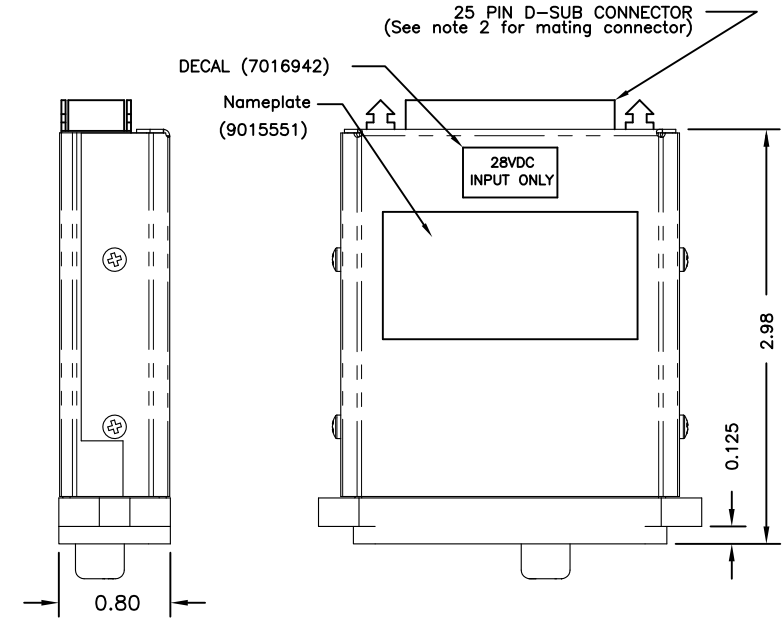


Revisions				
ECO	Rev.	Description	Date	Approved
	A	Initial release	11/14/03	DDT/JBR
4236	B	Add note 5-7. Change title block. PULL UP was Amber, TERR was Red	12/29/04	DDT/NHK
6136	C	Added "MOD 1:" to note 7. Added note 8.	03/07/14	MKN/Sch

J1 (25 PIN D-SUB)

ANNUNCIATOR FULL BRT #1 (note 5)	1	
ANNUNCIATOR FULL BRT #2 (note 3)	2	
TERRAIN PULL UP BRT/DIM (note 5)	3	
INTERNAL DIMMING OUTPUT #1 (note 5)	4	
TERRAIN CAUTION ANNUNCIATE INPUT	5	(REQUIRES A LOGIC LOW TO ANNUNCIATE)
ANNUNCIATOR PRESS TO TEST INPUT	6	(REQUIRES GROUND FOR TEST)
BRT/DIM ANNUNCIATOR POWER INPUT (note 3)	7	
+28VDC PANEL LIGHTING BUS HI	8	
PANEL LIGHTING BUS LOW	9	
TERRAIN NOT AVAILABLE ANNUNCIATE INPUT	10	(REQUIRES A LOGIC LOW NOT TO ANNUNCIATE)
TERRAIN PULL UP ANNUNCIATE INPUT	11	(REQUIRES A LOGIC LOW TO ANNUNCIATE)
INTERNAL DIMMING OUTPUT #2 (NOTE 3)	12	
+28 VDC AIRCRAFT POWER INPUT	13	
TAWS INHIBIT ANNUNCIATE IN	19	(REQUIRES A LOGIC LOW TO ANNUNCIATE)
TAWS INHIBIT OUTPUT	20	(PROVIDES GROUND TO INHIBIT)
POWER GROUND	21	
SHIELD GROUND	22	
SHIELD GROUND	23	
SHIELD GROUND	24	
SHIELD GROUND	25	



NOTES:

- Design shall meet DO-160D ENV. CAT. [A1F2]CAB[SU]XXXXXXZBABAT[BM][A3C3]XX.
- Mating connector: 013-00050-00 (Garmin), (Mid-Continent P/N 7014517).
- Jumper between pin 7 and pin 2 for full brightness or jumper between pin 7 and pin 12 to use the internal dimming circuit. See note 6.
- PULL UP (red) annunciation does not dim.
- Jumper between pin 3 and pin 1 for full brightness or jumper between pin 3 and pin 4 to use the internal dimming circuit. See note 6.
- Annunciator power to be selected so that annunciators are visible under all lighting conditions.
- MOD 1: Unit is TSO C151a, class A and B approved as part of an incomplete system.
- MOD 2: Changed annunciation colors to PULL UP red and TERR amber.

UNLESS OTHERWISE SPECIFIED, ALL DIMENSIONS ARE IN INCHES.
TOLERANCE:
FRACTIONAL=±1/64
.XX=±0.015
.XXX=±0.005
.XXXX=±0.002
ANGULAR=±0.5°
CONCENTRICITY: 0.005 TIR
BREAK ALL SHARP EDGES
THREADS PER MIL-S-7742

DRAWN:
D. Tran
8/19/03
APPROVED:
GR
11/14/03

This document discloses proprietary information of Mid-Continent Instrument Co., Inc. It may be reproduced or disclosed only with written permission of Mid-Continent Instrument Co., Inc. and is not to be used in any way detrimental to the interests of Mid-Continent Instrument Co., Inc.

TITLE:
TERRAIN AWARENESS
ANNUNCIATION CONTROL UNIT

PART NUMBER:
MD41-1038

SCALE: None

DO NOT SCALE THIS DRAWING

SHEET 1 of 1

MidContinent
INSTRUMENTS+AVIONICS