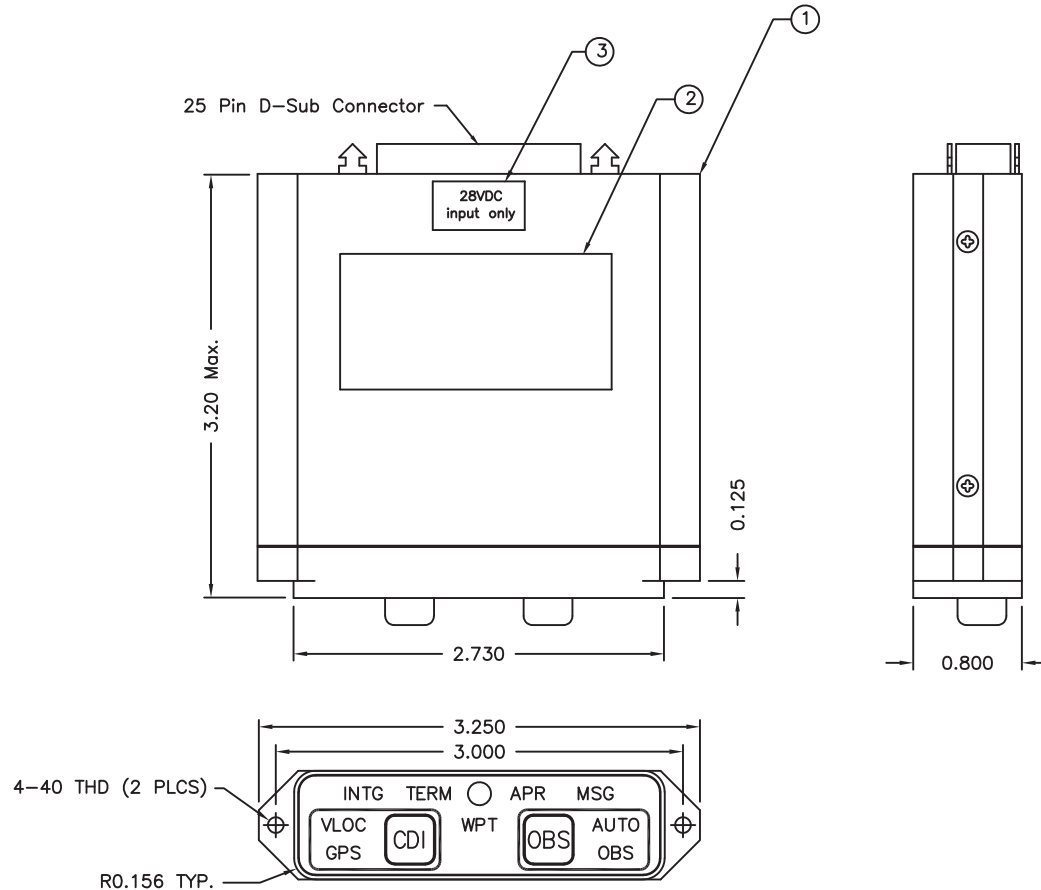


SPECIFICATIONS:

- 1) TSO Compliance: TSO C129
Applicable Documents: RTCA DO-160C, DO-208
- 2) Operating Temperature Range: -55°C to +70°C
- 3) Humidity: 95% Non-Condensing.
- 4) Altitude Range: 0 to 55,000 ft.
- 5) Vibration: Cat. M and N.
- 6) Operational Shock: Rigid Mounting, 6G Operational
15G Crash Safety.
- 7) Current: 0.30 Amps typical.
- 8) Controls:
CDI: Momentary switch.
OBS: Momentary switch.
- 9) Annunciations and colors:
VLOC: white.
GPS: green.
MSG: amber.
WPT: amber.
TERM: green.
APR: green.
OBS: green.
AUTO: white.
INTG: amber.
- 10) Overall color shall be black.
- 11) Weight shall be 0.30 lbs.

25 PIN MALE
D-SUB CONNECTOR

INTG ANN.	20
APR ANN.	9
WPT ANN.	8
MSG ANN.	10
TERM ANN.	3
VLOC ANN.	2
GPS ANN.	1
LAMP TEST	7
OBS MODE SELECT	12
OBS	24
CDI SOURCE SELECT	4
28VDC POWER	13
GROUND	25
28V DIMMER IN	5



Horizontal Mount

Item	Qty	Part Number	Description
1	1	9015928-3	Assy, MD41-1468A
2	1	8012577	Nameplate
3	1	7016942	Decal, Input Voltage

UNLESS OTHERWISE SPECIFIED, ALL DIMENSIONS ARE IN INCHES.
TOLERANCE:
.X=±0.065
.XX=±0.015
.XXX=±0.005
.XXXX=±0.002
ANGULAR=±0.5°
WEIGHT N.T.E. +5%
BREAK ALL SHARP EDGES
THREADS PER MIL-S-7742

DRAWN:
SmH
07/27/2000
APPROVED:
BB
07/27/2000

This document discloses proprietary information of Mid-Continent Instrument Co., Inc. It may be reproduced or disclosed only with written permission of Mid-Continent Instrument Co. and is not to be used in any way detrimental to the interests of Mid-Continent Instrument Co., Inc.



TITLE:
Annunciation Control Unit
PART NUMBER:
MD41-1468A
SCALE: None DO NOT SCALE THIS DRAWING SHEET 1 of 1

Revisions				
ECO	Rev.	Description	Date	Approved
3202	A	Dimension 0.125 was 0.08. Revise layout, current spec was 0.4A.	05/28/03	DDT/ScH
7380	B	Toplevel assy was 9010810-2. Update title block.	06/15/21	ScH/MEK
7464	C	Correct typo on Decal, Input Voltage.	03/18/22	ScH/MEK