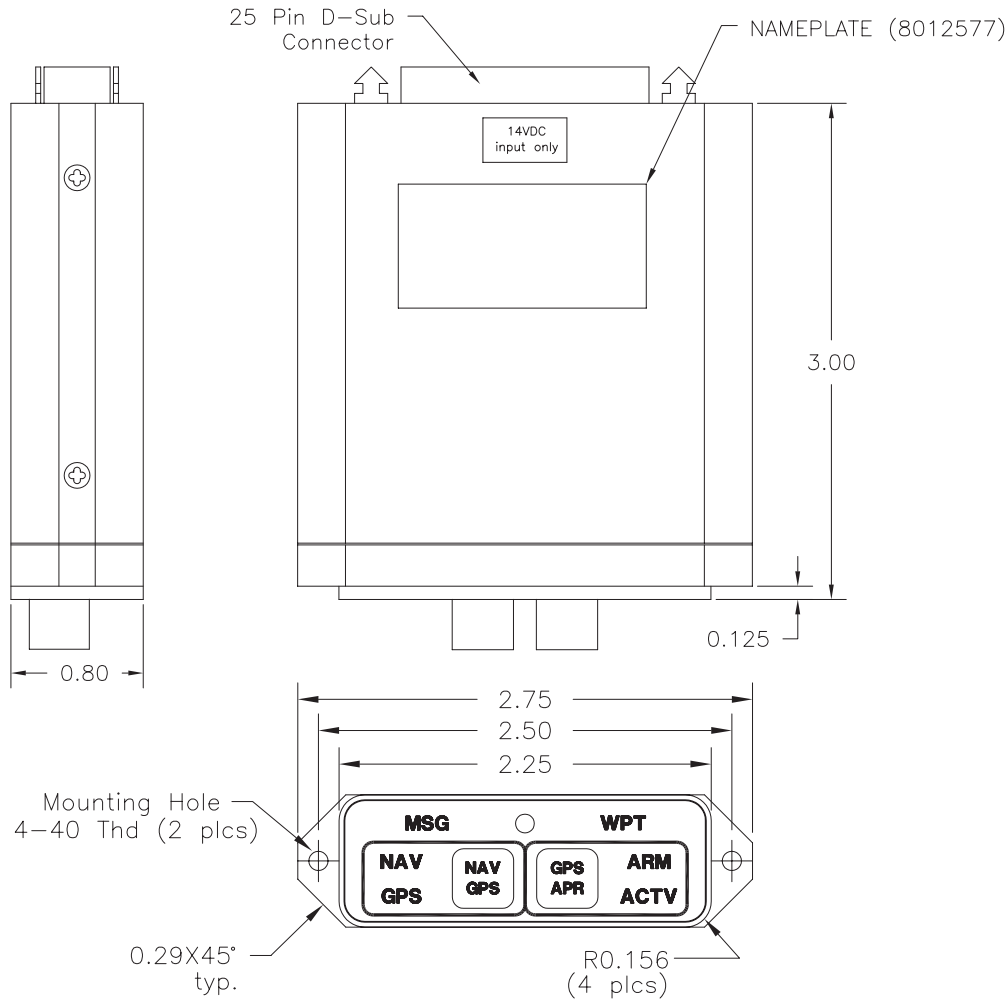


Revisions				
ECO	Rev.	Description	Date	Approved

Logo and company name have been changed in title block only. No functional or technical changes have been made. Revision remains unchanged.



NOTE: Refer to manual number 7019458 for installation information.

SPECIFICATIONS:

- TSO Compliance: TSO C129  
Applicable Documents:  
RTCA DO-160C, DO-208
- Operating Temperature Range:  
-55°C to +70°C
- Humidity: 95% Non-Condensing.
- Altitude Range: 0 to 55,000 ft.
- Vibration: Cat. M and N.
- Operational Shock: Rigid Mounting,  
6G Operational, 15G Crash Safety.
- Current: 0.40 Amps typical.
- Controls:  
NAV/GPS: Alternate action switch.  
GPS/APR: Momentary switch.  
OBS/LEG: Alternate action switch.
- Annunciations and colors:  
NAV: white.  
GPS: green.  
MSG: amber.  
ARM: white.  
ACTV: green.  
WPT: amber.  
LEG: green.  
OBS: white.
- Overall color shall be black.
- Weight shall be 0.30 lbs.

25 PIN MALE  
D-SUB CONNECTOR

NAV CIRCUIT BKR	1
GPS ANN	2
MSG ANN	3
WPT ANN	4
14V DIMMER IN	5
GPS APR ARM SELECT	6
LAMP TEST	7
ACTV ANN	9
ARM ANN	10
ILS ENERGIZE	11
14VDC POWER	13
NAV ANN	16
GPS DISPLAY	18
EXTERNAL RELAY ENERGIZE	24
GROUND	25

UNLESS OTHERWISE SPECIFIED  
ALL DIMENSIONS ARE IN INCHES  
TOLERANCE: FRACTIONAL = ±1/64  
.XX = ±.020  
.XXX = ±.010  
.XXXX = ±.002  
ANGULAR = ±0.5°  
CONCENTRICITY: .005 TIR  
BREAK ALL SHARP EDGES  
THREADS PER MIL-S-7742  
SURFACE ROUGHNESS — — — ✓

DRAWN	J. Reed	11/15/01
APPROVED	Sch	11/15/01
TOP LEVEL ASSY:	9014697-1	
USED ON:		
END ITEM:		
CODE IDENT. NO.:	59742	



TITLE:	ANNUNCIATION CONTROL UNIT	PART NUMBER:	MD41-1524
SCALE:	None	SHEET	1 of 1

This document discloses proprietary information of Mid-Continent Instrument Co., Inc. It may be reproduced or disclosed only with written permission of Mid-Continent Instrument Co., Inc. and is not to be used in any way detrimental to the interests of Mid-Continent Instrument Co., Inc.