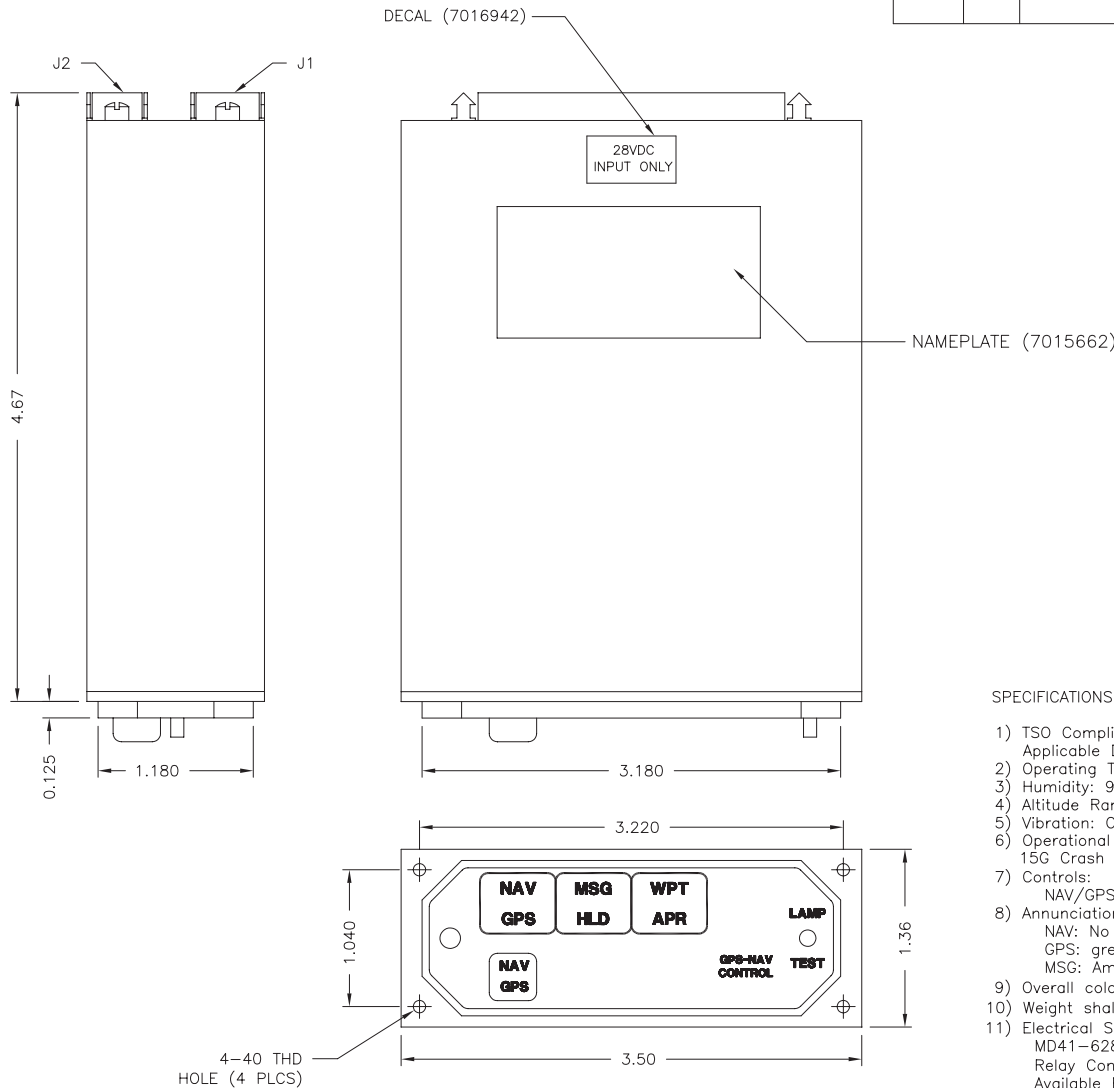


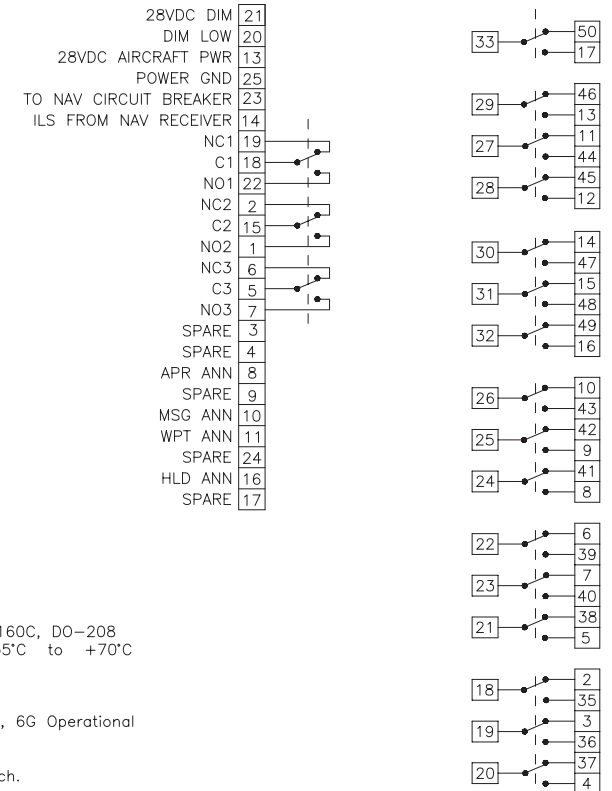
Revisions				
ECO	Rev.	Description	Date	Approved

Logo and company name have been changed in title block only. No functional or technical changes have been made. Revision remains unchanged.



J1
25 PIN D-SUB CONN.

J2
50 PIN D-SUB CONN.



SPECIFICATIONS:

- 1) TSO Compliance: TSO C129
Applicable Documents: RTCA DO-160C, DO-208
- 2) Operating Temperature Range: -55°C to +70°C
- 3) Humidity: 95% Non-Condensing.
- 4) Altitude Range: 0 to 55,000 ft.
- 5) Vibration: Cat. M and N.
- 6) Operational Shock: Rigid Mounting, 6G Operational 15G Crash Safety.
- 7) Controls:
NAV/GPS: Alternate action switch.
- 8) Annunciations and colors:
NAV: No color HLD: Green
GPS: green WPT: Amber
MSG: Amber APR: Green
- 9) Overall color shall be black.
- 10) Weight shall be 0.75 lbs.
- 11) Electrical Specifications:
MD41-628 (28VDC); 0.40 Amp
Relay Contact Current Rating; 2Amp. DC
Available Relay Poles (SPDT); 19

(All relays shown in NAV position, for installation information refer to manual number 7016074).

Notes:

- 1) Mating connectors:
For J1: 25 pin female Positronic
P/N RD25F10JVL0 (MCI P/N: 7014517).
For J2: 50 pin female Positronic
P/N RD50F10JVL0 (MCI P/N: 7014509).

This document discloses proprietary information of Mid-Continent Instrument Co., Inc. It may be reproduced or disclosed only with written permission of Mid-Continent Instrument Co., Inc. and is not to be used in any way detrimental to the interests of Mid-Continent Instrument Co., Inc.

<p>UNLESS OTHERWISE SPECIFIED ALL DIMENSIONS ARE IN INCHES TOLERANCE: FRACTIONAL = ±1/64 .XX = ±.015 .XXX = ±.005 .XXXX = ±.002 ANGULAR = ±0.5° CONCENTRICITY: .005 TIR BREAK ALL SHARP EDGES THREADS PER MIL-S-7742 SURFACE ROUGHNESS _____ ✓</p>	DRAWN	D. Tran	5/13/03		<p>TITLE: Annunciation Control Unit</p>	<p>PART NUMBER: MD41-628</p>	
	APPROVED	SdN	5/13/03				
	TOP LEVEL ASSY:	8016399			SCALE: None	DO NOT SCALE THIS DRAWING	SHEET 1 of 1
	USED ON:	CODE IDENT. NO.: 59742					