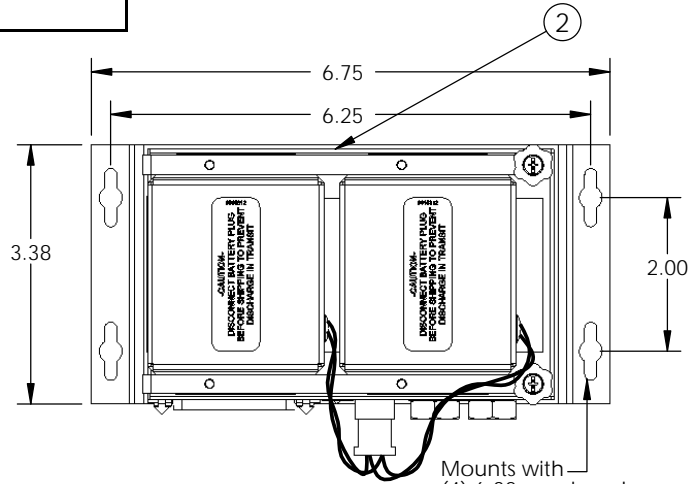


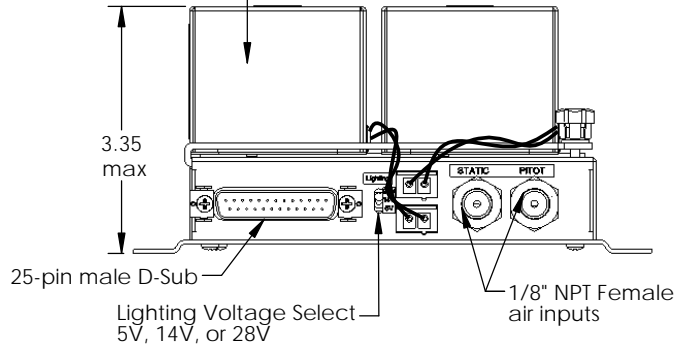
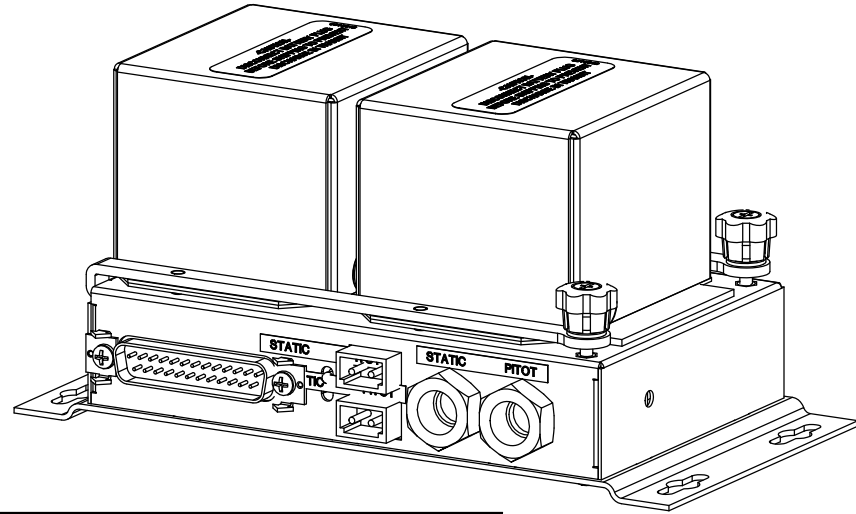
Configuration	
Dash #	

Revision				
ECO	Rev.	Description	Date	Approved
		See obsolete for revision history.		
4809	D	Update DO-160E Environmental Category.	3/14/07	MCH/BAW
5288	E	Update DO-160E HIRF qualification from [WW] to [WF] and lightning from [A3C3] to [A3H33]. Add Power Output and Output Capacity to Specifications and delete Current Rating.	10/12/09	JDS/MKN



Field replaceable batteries w/ tool-less installation and removal

Mounts with (4) 6-32 pan head screws (not included)



**BATTERY MODULE PINOUT**

Pin #		Pin #	
1	10-32VDC Power Input	14	Reserv ed
2	Power Out	15	Reserv ed
3	Aircraft Power Ground	16	Reserv ed
4	Power Ground	17	Reserv ed
5	Aircraft Lighting Bus	18	Air Switch
6	Standby Lighting Bus	19	Annun. Green
7	Standby Lighting Bus	20	Annun. Red
8	Standby Lighting Bus	21	Annun. Yellow
9	Aircraft Lighting Ground	22	Annun. White
10	Standby Lighting Ground	23	STBY PWR Switch
11	Standby Lighting Ground	24	Annun. Sensor
12	Standby Lighting Ground	25	Annun. Ground
13	Reserv ed		

Item	Qty	Part Number	Description
1	1	9016294	Battery Module Assy, MD421
2	1	9010026-2	Nameplate, MD421
3	2	P-18	Plug, Air Port
4	1	DCC-13	Cover, 25-pin D-Sub
5	1	7014517	Connector Kit, 25-pin

SPECIFICATIONS	
Power Input	10 to 32 VDC
Power Output	18V nominal @ 1.8A max
Output Capacity	2.5 AH @ 0.1C rate
Weight	3.1 lbs
Certification	FAATSO-C4c and RTCA DO-160E RTCA DO160E Environmental Category D1S2AER(B1G)XXXXXXZZAZ[ZC][WF]M[A3H33]XXAX
Mating Connector	MD25F20JVLO 25-pin D-Sub female or equivalent
Battery Run Time	60 minutes minimum
Battery Charging	Automatic recharging when main power is present
Compatibility (When used in conjunction with MD422)	Supplies backup power to Mid-Continent Instruments Electric Attitude Indicator Model 4200 or 4300 and lighting power to two (2) additional instruments (5, 14, or 28V light bulbs or LEDs)

UNLESS OTHERWISE SPECIFIED, ALL DIMENSIONS ARE IN INCHES.  
TOLERANCE:  
FRACTIONAL = ±1/64  
.XX = ±0.015  
.XXX = ±0.005  
.XXXX = ±0.002  
ANGULAR = ±0.5°  
CONCENTRICITY: 0.005 TIR  
BREAK ALL SHARP EDGES  
THREADS PER MIL-S-7742

DRAWN:  
BAW  
10/16/2006  
  
APPROVED:  
M. Hawks  
11/2/2006

This document discloses proprietary information of Mid-Continent Instrument Co., Inc. It may be reproduced or disclosed only with written permission of Mid-Continent Instrument Co., Inc. and is not to be used in any way detrimental to the interests of Mid-Continent Instrument Co., Inc.

TITLE:  
**Battery Module, MD420 System**

SCALE: 2:5      DO NOT SCALE THIS DRAWING

**TRUE BLUE POWER**  
A division of Mid-Continent Instrument Co., Inc.

PART NUMBER:  
**MD421**

SHEET: 1 of 1