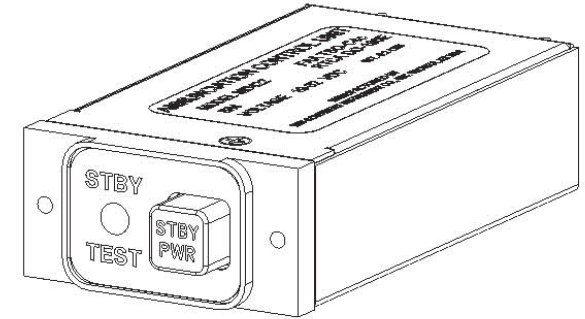
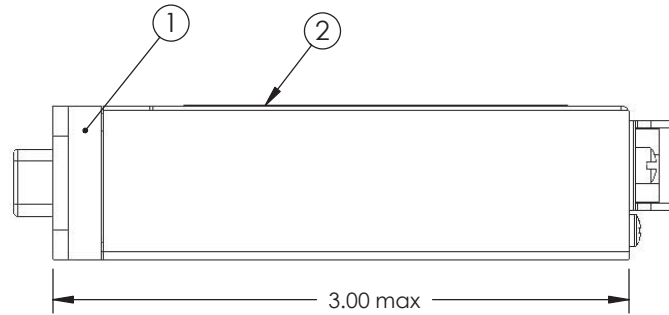
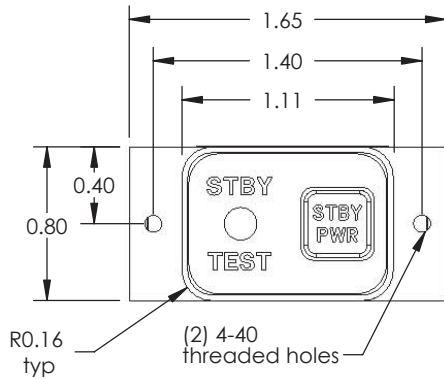


Configuration	
Dash #	

Revision				
ECO	Rev.	Description	Date	Approved
	A	Initial Release.	11/27/06	BAW/MCH
4758	B	Revise pinout description.	12/5/06	MCH/BAW
4779	C	Show DO-160E and TSO certifications.	1/25/07	MCH/KT
4809	D	Update DO-160E environmental category.	3/14/07	MCH/BAW

Logo and company name have been changed in title block only. No functional or technical changes have been made. Revision remains unchanged.



ANNUNCIATION CONTROL UNIT OPERATION with MD421	
STBY PWR Button:	Press and hold to test battery
White (LED backlit)	Press to manually activate battery
STBY Text: Amber	Flashes bright for 1 minute after power loss in manual mode Steady dim state when operating on battery power
TEST Text: Green or Red	Indicates Pass/Green or Fail/Red during battery test

ACU PINOUT			
Pin #		Pin #	
1	Annun. Green	6	STBY PWR Switch
2	Annun. Sensor	7	Reserved
3	Annun. Return	8	Annun. White
4	Annun. Red	9	Reserved
5	Annun. Yellow		

SPECIFICATIONS	
Power Input	10 to 32 VDC
Current Rating	0.25A (nominal) 4.0A/2.0A (max; 14V/28V input)
Weight	0.2 lbs
Certification	FAA TSO-C4c RTCA DO 160E Environmental Category D1S2AER(B1G)XXXXXXZZ[ZC][WW]M[A3C3X]XXAX
Mating Connector	MD9F20JVLO 9-pin D-Sub female or equivalent
Lighting	LED Backlit, automatic internal dimming
Compatibility (When used in conjunction with MD421)	Supplies backup power to Mid-Continent Instruments Electric Attitude Indicator Model 4200 or 4300 and lighting power to two (2) additional instruments (5, 14, or 28V light bulbs or LEDs)

UNLESS OTHERWISE SPECIFIED, ALL DIMENSIONS ARE IN INCHES.
TOLERANCE:
FRACTIONAL=±1/64
.XX=±0.015
.XXX=±0.005
.XXXX=±0.002
ANGULAR=±0.5°
CONCENTRICITY: 0.005 TIR
BREAK ALL SHARP EDGES
THREADS PER MIL-S-7742

DRAWN:
BAW
10/16/2006

APPROVED:
M. Hawks
11/2/2006

This document discloses proprietary information of Mid-Continent Instrument Co. It may be reproduced or disclosed only with written permission of Mid-Continent Instrument Co. and is not to be used in any way detrimental to the interests of Mid-Continent Instrument Co.

TITLE:
ACU, MD420 System

MidContinent™
INSTRUMENTS+AVIONICS

PART NUMBER:
MD422

SCALE: 1:1

DO NOT SCALE THIS DRAWING

SHEET: 1 of 1

Item	Qty	Part Number	Description
1	1	9016295	ACU Assembly, MD422
2	1	9010026-3	Nameplate, MD422
3	1	6018956	Decal, Warranty
4	1	DCC-11	Cover, 9-Pin D-Sub
5	1	8017287	Connector Kit, 9-Pin