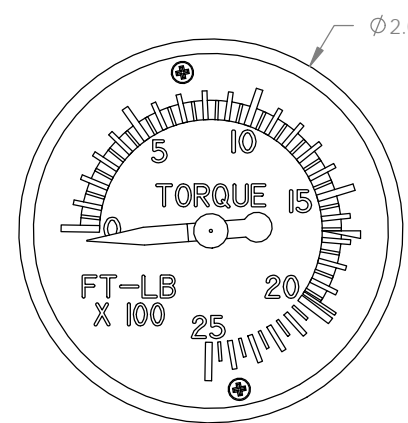
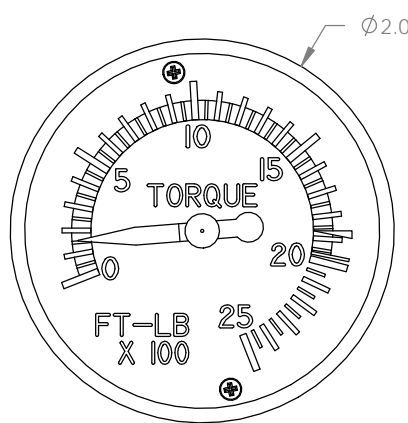


Configuration					
Dash #	Indicator Sub-Assy	Tinnerman Nuts	Light Tray	Conforms to Cessna Spec	Conforms to MCI Spec
-2	7010135-2	omit	omit	2606011-2	TDS313
-3	7010135-3	omit	omit	2606011-3	TDS313
-4	7010135-4	6013031	7016637-1	See Note 5	TDS082
-5	7010135-5	6013031	7016637-1	2606011-5	TDS357
-6	7010135-6	6013031	7016637-1	2606011-6	TDS356

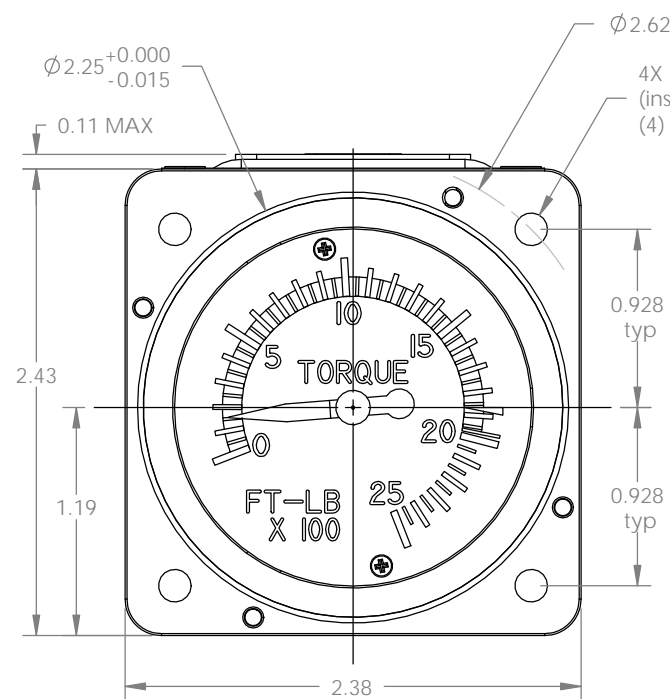
Revision				
ECO	Rev.	Description	Date	Approved
1291	A	Add Nameplate (6019152). Update title block.	08/25/99	JBR
4773	B	Consolidate -2 and -3 configurations into single drawing. Add -4 configuration.	01/17/07	BAW/JBR
4929	C	Add MCI Spec to configuration table. Add note 5b. Add port plugs to BOM.	10/29/07	BAW/MKN
5087	D	Light tray wire length was 12" minimum.	09/29/08	Sch/MKN
5773	E	Add -5 & -6 configurations.	05/21/12	MKN/Sch
5816	F	Added Note 3.	08/16/12	MKN/Sch



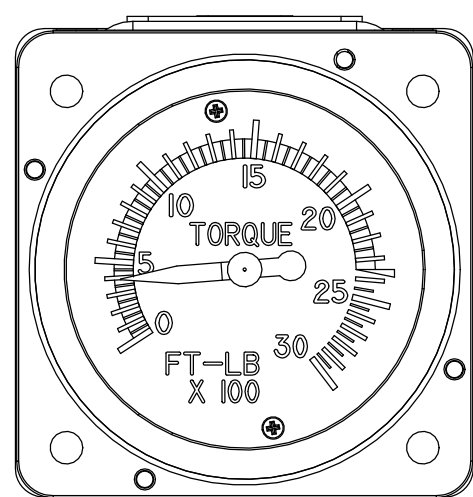
-2 CONFIGURATION



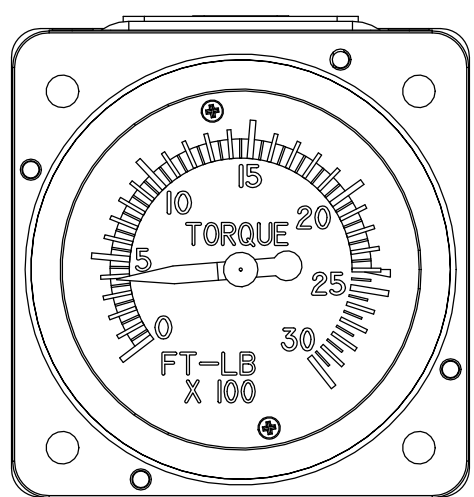
-3 CONFIGURATION



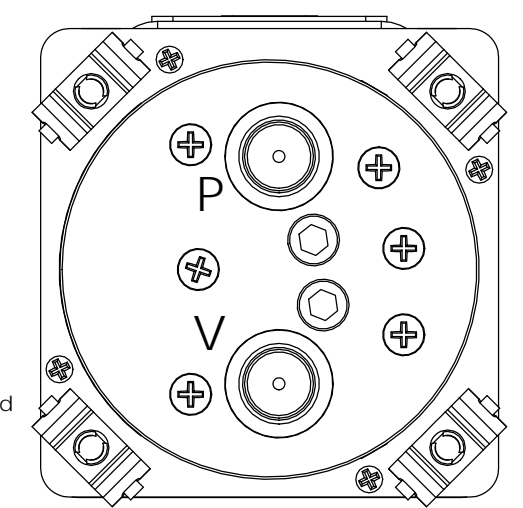
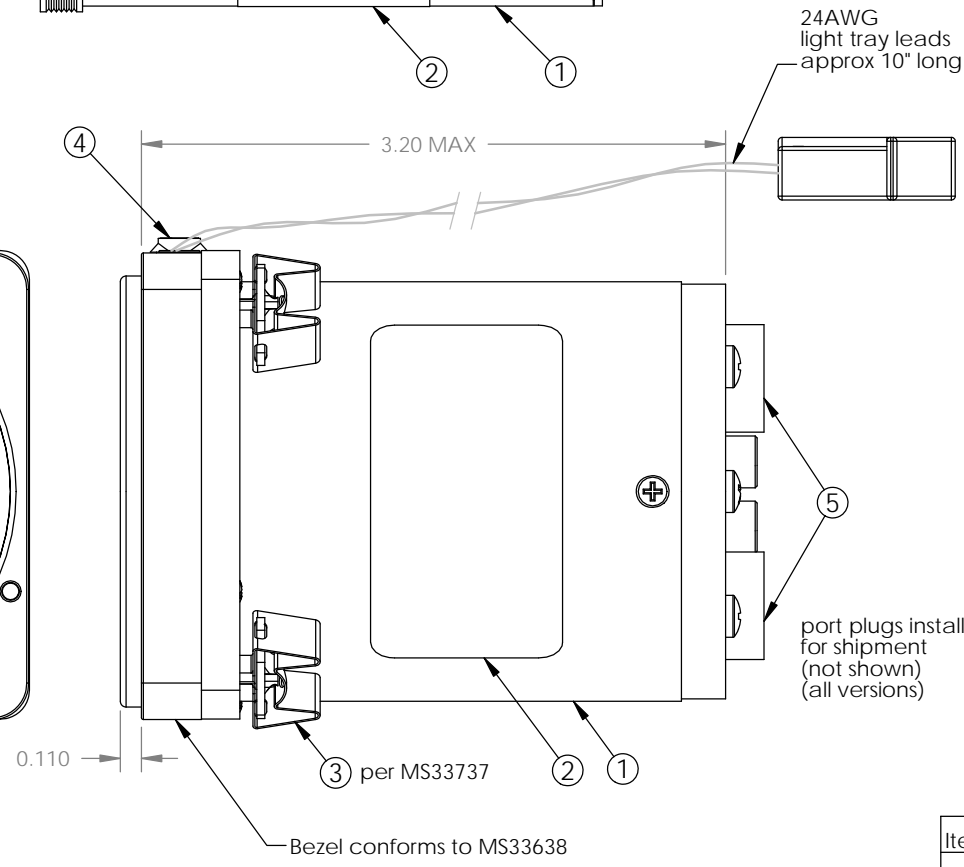
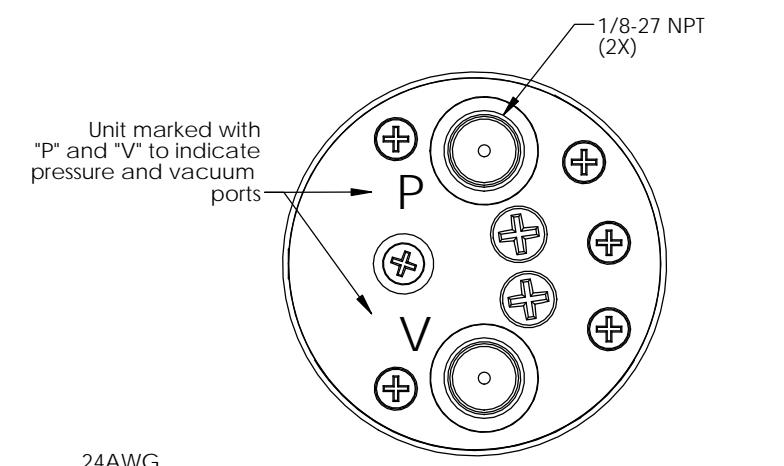
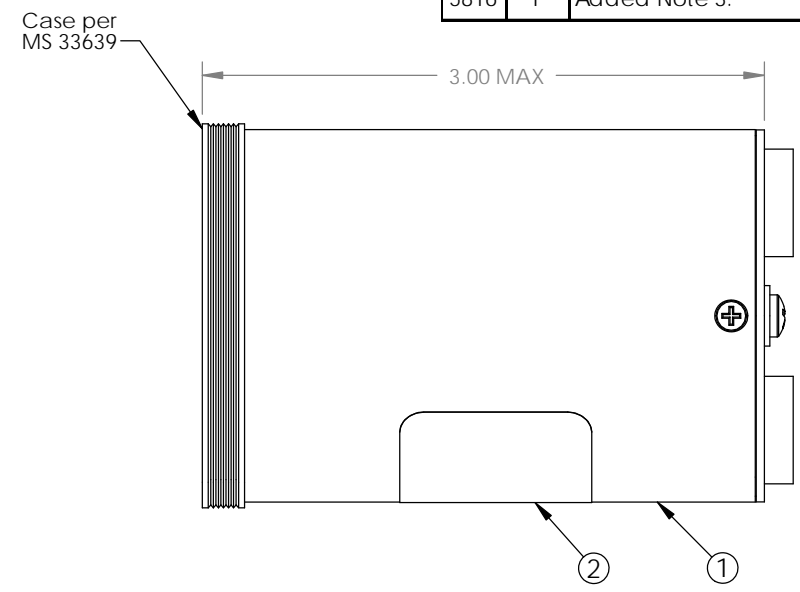
-4 CONFIGURATION



-5 CONFIGURATION



-6 CONFIGURATION



- Note:
- 1) Case and bezel are black.
  - 2) Operating Temp: -30°C to +65°C
  - 3) Extreme Operating Temp: -65°C to +95°C  
Indicator will not be adversely affected by exposure to temperatures in this range.
  - 4) Operation Altitude: -1,000 to +35,000 ft
  - 5) Maximum Weight: 0.80 lbs
  - 6) -4 conforms to Cessna Specification 2606011-3 except for:
    - a. Section 4.5: Case conforms to MS33638
    - b. Table II: see TDS for Scale Error data
    - c. Inclusion of 28V externally replaceable light tray conforming to Cessna spec S3312-1

Item	Qty	Part Number	Description
1	1	See Config	Torque Indicator Assembly
2	1	6019152	Nameplate, Cessna
3	4	See Config	Nut, Tinnerman, 6-32
4	1	See Config	Light Tray w/ Connector
5	2	WW2X	Plug, Pneumatic Port

UNLESS OTHERWISE SPECIFIED, ALL DIMENSIONS ARE IN INCHES. TOLERANCE: FRACTIONAL=±1/64 .XX=±0.015 .XXX=±0.005 .XXXX=±0.002 ANGULAR=±0.5° CONCENTRICITY: 0.005 TIR BREAK ALL SHARP EDGES THREADS PER MIL-S-7742	DRAWN: S. Hoang 7/13/92	This document discloses proprietary information of Mid-Continent Instrument Co. It may be reproduced or disclosed only with written permission of Mid-Continent Instrument Co. and is not to be used in any way detrimental to the interests of Mid-Continent Instrument Co.	
	APPROVED: JW 7/13/92		
SCALE: 1:1		DO NOT SCALE THIS DRAWING	
SHEET: 1 of 1			