



MD222-406

MD222 Series

2-inch Course Deviation Indicator

Manufactured by Mid-Continent Instruments and Avionics

THE MD222 SERIES IS THE ONLY 2-INCH COURSE DEVIATION INDICATOR WITH GLIDESLOPE.

INNOVATIVE SAFETY FEATURE! RECTILINEAR POINTERS MOVE OUT OF VIEW WITH AN INVALID SIGNAL.

The MD222 Series 2-inch Course Deviation Indicator is an affordable solution for tight panel installations. Each unit features new-generation rectilinear meter movements for more accurate readings, a course selector and resolver output.

Mid-Continent's MD222 Series is designed to last, utilizing precision-fit metal gears, ball bearings and a glass lens.

- Compact 2-inch size saves panel space
- Precision replacement for older navigation indicators
- Ideal for applications where space is limited or as a backup for glass panel displays
- Rectilinear meter movements allow for more accurate readings
- LED backlighting provides increased reliability and longer life
- Built-in NAV, GPS and VLOC or BC annunciators
- Rugged construction includes ball bearings in critical areas
- True course resolver output (1 volt, 30 Hz)
- Quality Mil-Spec connectors
- FAA TSO certified for use with most GPS and VOR systems
- Designed and built in Wichita, Kansas, USA
- One-year limited warranty

MD222 Series

2-inch Course Deviation Indicator

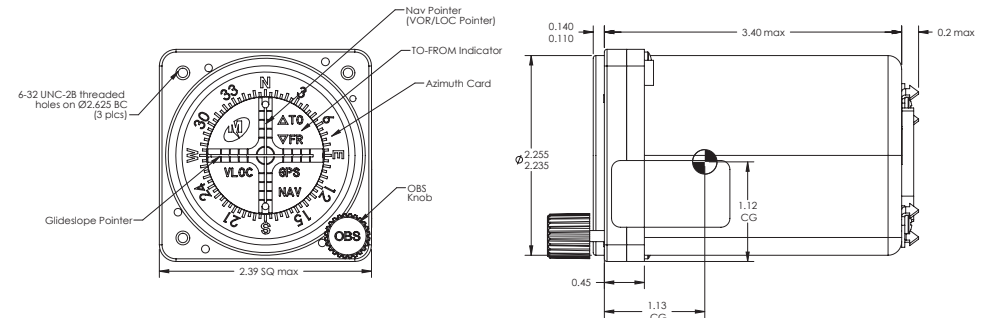
Manufactured by Mid-Continent Instruments and Avionics



SPECIFICATIONS

Power Input	Accepts 11 to 32 volts DC, 0.3A max
Lighting	Internal white LED Lighting control voltage is selectable for 5, 14 or 28 VDC
Weight	0.6 lbs
Certification	FAA TSO-C34e, -C36e, -C40c RTCA DO-192, -195, -196, -160E
Length	3.5 inches
Temperature Range	-30 °C to +55 °C (-22 °F to 130 °F)
Humidity	95% non-condensing
Altitude	-15,000 to +55,000 ft
Cover Glass	Special HEA (anti-reflective) coating
Connector	25-pin male D-Sub (MD25M3S0V50)
Mating Connector	25-pin female D-Sub (MD25F3R4000 or equivalent)
Color	Index marks, text White Glideslope, navigational pointers White Bezel, dial background Black
Operational Shock	Rigid mounting, 6G operational, 15G crash safety

	Normal	Maximum Operating Temperature Range
NAV/GS Deviation	Input impedance 1k ohms ± 10%	1k ohms ± 25%
	Deflection sensitivity* 150 mV ± 10%	150 mV ± 25%
Valid NAV/GS Meter	Input impedance 1k ohms ± 10%	1k ohms ± 25%
	Meter in view* 260 mV ± 10%	260 mV ± 25%
To/From Annunciation	Input impedance 200 ohms ± 10%	200 ohms ± 25%
	To or From in view* ± 40 mV ± 15%	± 40 mV ± 25%
OBS Resolver	Zeroed at 300° ± 1° ORZ	300° ± 2.5°
* Input Range	Common mode/reference 1 to 5 volts for signal inputs	



PART NUMBER	CONFIGURATION
MD222-406	2-inch, (NAV, GPS, VLOC) LED lighting
MD222-506	2-inch, (NAV, GPS, BC) LED lighting