



Standby Package Certified 2-inch Instruments

Manufactured by Mid-Continent Instruments and Avionics

THE CERTIFIED 2-INCH STANDBY PACKAGE PARTNERS MID-CONTINENT'S 4200 ELECTRIC ATTITUDE INDICATOR WITH THE MD25 AIRSPEED INDICATOR AND MD15 ALTIMETER.

- Affordable, 2-inch instruments which can be used as standby or primary indicators
- All units have integral long life 5, 14 or 28 volt LED lighting
- Anti-reflective glass enhances visibility and reduces pilot fatigue
- Rear-mounted in standard 2 1/4" cutouts horizontally, vertically or individually
- Attitude Indicator operates from 10-32 volt DC for use in both 14 and 28 volt aircraft
- Available in specified panel tilt from 0°-20°— calibrated at factory
- Airspeed available in 160, 200, 260, 300, 350 or 400 knots
- Altimeter available with right-hand or left-hand knob, 20,000 or 35,000 ft., and in. Hg or mb
- All units are FAA TSO certified (C4c, C2d and C10b)
- Designed and built in Wichita, Kansas, USA
- One-year limited warranty
- See reverse side for dimensions

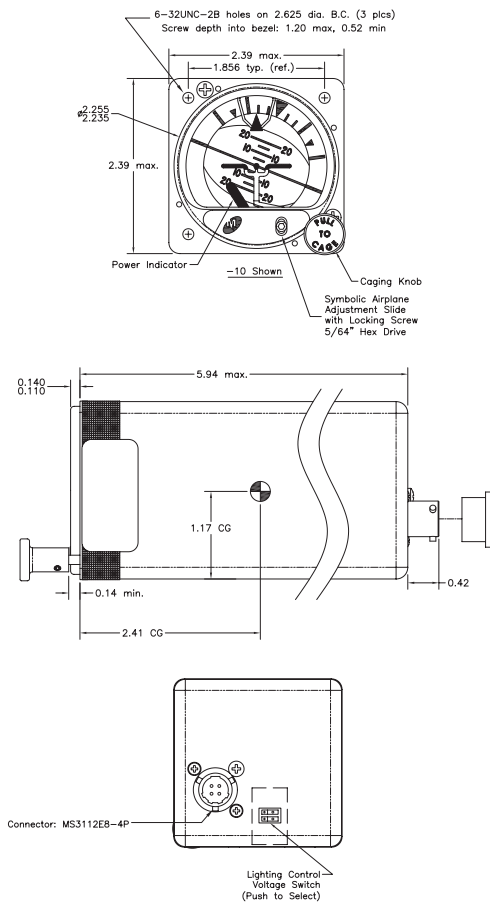
Instruments available as a package or sold individually.

Standby Package

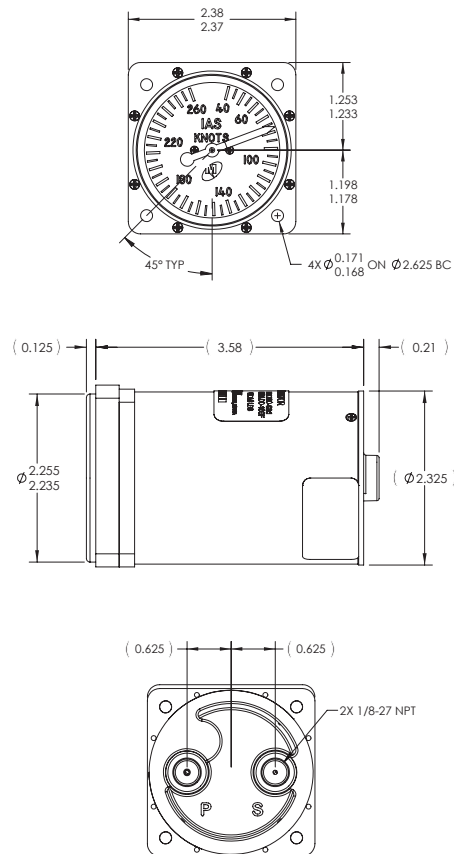
Certified 2-inch Instruments

Manufactured by Mid-Continent Instruments and Avionics

4200 Series Electric Attitude Indicator



MD25 Series Airspeed Indicator



MD15 Series Altimeter

