

TRUE BLUE POWER®

A division of Mid-Continent Instrument Co., Inc.



Advanced Lithium-ion Battery

TB44

Manufactured by Mid-Continent Instrument Co., Inc.



TB44

The TB44 Advanced Lithium-ion Battery uses the most sophisticated lithium-ion chemistry available, providing aviators with an unmatched advantage of power, safety, life and energy.

Ideal for the turbine market, including fixed-wing and rotorcraft applications, the TB44 starts the aircraft's engine quickly and features superior energy density — Nanophosphate® lithium-ion cells offer 3x the energy per kilogram, resulting in a battery that is 40% lighter than lead-acid or nickel-cadmium alternatives.

The advanced battery system is engineered to deliver an overall lower cost of ownership with a 2-year maintenance schedule, efficient engine starts, extended useful life and intelligent ARINC 429 communication to the cockpit.

Product features

CAPACITY	46 amp-hour battery nominal at 23°C/73.4°F
WEIGHT	51.7 lbs.
TECHNOLOGY	Advanced Nanophosphate® lithium-ion cell chemistry from A123 Systems, LLC
EFFICIENCY	Higher voltage during engine start — Less wear, less maintenance and increased useful life
PERFORMANCE	7 engine starts in 7 minutes 15 minutes for complete recharge when the battery is fully discharged on a typical aircraft Superior performance at extremely high temperatures (up to 70°C/158°F)
ENERGY DENSITY	A123 battery cells deliver 3x the energy per kilogram when compared to lead-acid and nickel-cadmium cells
INTERNAL HEATER	Automatic internal heater
PROTECTION	Overcharge, over-discharge, over-current, short circuit, over-temperature and under-temperature
COMMUNICATION	ARINC 429 data to the cockpit
MAINTENANCE	2-year maintenance interval; offers 50 – 90% savings on maintenance costs
DESIGNED AND MANUFACTURED	Wichita, Kansas, USA
WARRANTY	2-year limited

Kansas

9400 East 34th Street North
Wichita, Kansas 67226 USA
Tel 316.630.0101 800.821.1212
Fax 316.630.0723
tbp@mcico.com

California

16320 Stagg Street
Van Nuys, California 91406 USA
Tel 818.786.0300 800.345.7599
Fax 818.786.2734
tbp@mcico.com

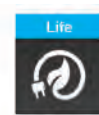
The Nanophosphate® Advantage



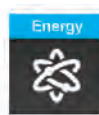
Superior power by weight or volume in a cost effective solution



Nanophosphate® is stable chemically, providing the foundation for safe systems



Excellent calendar and cycle life with consistent performance over extended use



Higher useable energy means greater battery utilization and lower cost

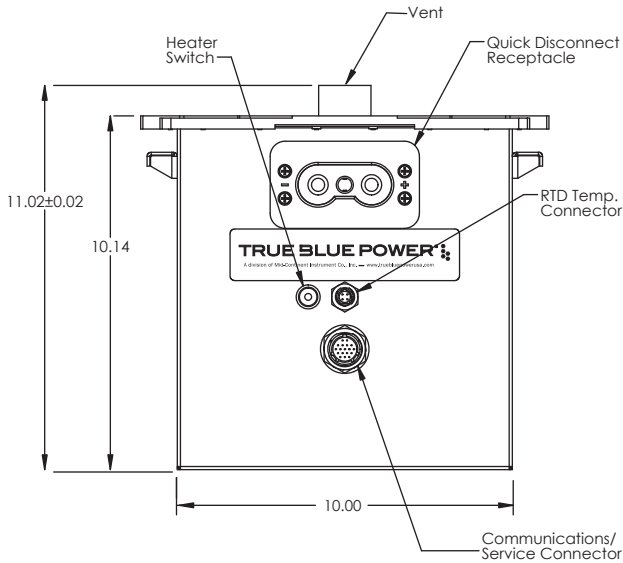
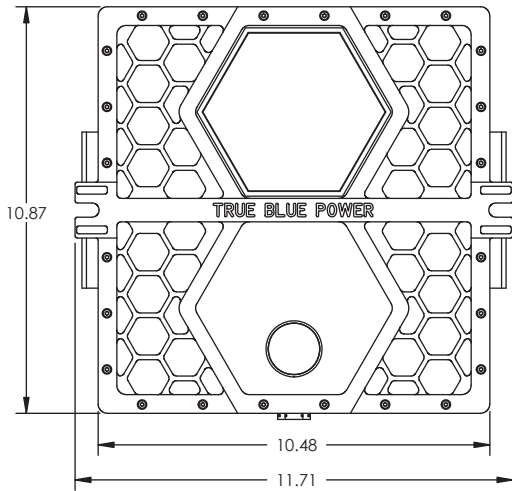


truebluepowerusa.com

Advanced Lithium-ion Battery

TB44

Manufactured by Mid-Continent Instrument Co., Inc.



Technical specifications

CAPACITY	46 amp-hour battery nominal at 23°C/73.4°F
CHARGE VOLTAGE	28 VDC nominal
OUTPUT VOLTAGE	26.4 VDC nominal
OUTPUT CURRENT	750A continuous, 1500A max
TECHNOLOGY	Advanced Nanophosphate® lithium-ion cell chemistry from A123 Systems, LLC
PROTECTION	Overcharge, over-discharge, over-current, short circuit, over-temperature and under-temperature
ENERGY DENSITY	52.0 Wh/kg 64.6 Wh/liter
OPERATING TEMPERATURE	-40° C to 70° C (-40° F to 158° F)
WEIGHT	51.7 lbs. (23.45 kg)
DIMENSIONS	10.87" L x 10.48" W x 10.14" H
CONFIGURATION	8S19P; 8 series cells x 19 parallel modules
MAINTENANCE	2-year maintenance interval; offers 50 – 90% savings on maintenance costs
CASE	Powder-coated steel, blue
CERTIFICATION	FAA TSO certified to C179a ETSO certified to C179a RTCA DO-311 qualified RTCA DO-160G qualified UNDOT/IATA qualified

Product comparison

	Battery Technology	Voltage Output	Capacity (1C rate)	Weight	Maintenance	Useful Life
TB44	Lithium-ion	26.4 VDC	46 amp-hour	51.7 lbs.	2 years	8 years (average)
	Lead-acid	24 VDC	42 amp-hour	92 lbs.	Annual	2 – 4 years
	Nickel-cadmium	24 VDC	44 amp-hour	80 lbs.	200 – 400 hours	5 – 10 years