

# TRUE BLUE POWER®

A division of Mid-Continent Instrument Co., Inc.

## 120 Watt DC-to-DC Converter

### TC120 Series

Manufactured by Mid-Continent Instrument Co., Inc.

The TC120 Series Converter supplies 120 watts of 5 to 18-volt power to electronic equipment, lighting and cabin accessories.



The highly efficient TC120 Series DC-to-DC Converter produces 120 watts of power from an aircraft's 28 VDC input. Engineered with a fanless design, the TC120 saves space and reduces weight.

The TC120 Series Converter produces enough energy to power electronic equipment throughout the aircraft, including in-seat, cabin and cockpit power applications. Lighter and smaller than competing units, the TC120 can be conveniently mounted in the floor, cabin wall or outside the pressure vessel.

#### Product features

OUTPUT POWER	120 Watts
INPUT VOLTAGE	22 – 32 VDC
OUTPUT VOLTAGE	5 – 18 VDC adjustable
EFFICIENCY	95%
REMOTE ON/OFF	Optional
COOLING	None required
PROTECTION	Input transient, overload and short circuit, temperature monitoring, reverse polarity
DESIGNED AND MANUFACTURED	Wichita, Kansas, USA
WARRANTY	Two-year limited

#### Kansas

9400 East 34th Street North  
Wichita, Kansas 67226 USA  
Tel 316.630.0101 800.821.1212  
Fax 316.630.0723  
tbp@mcico.com

#### California

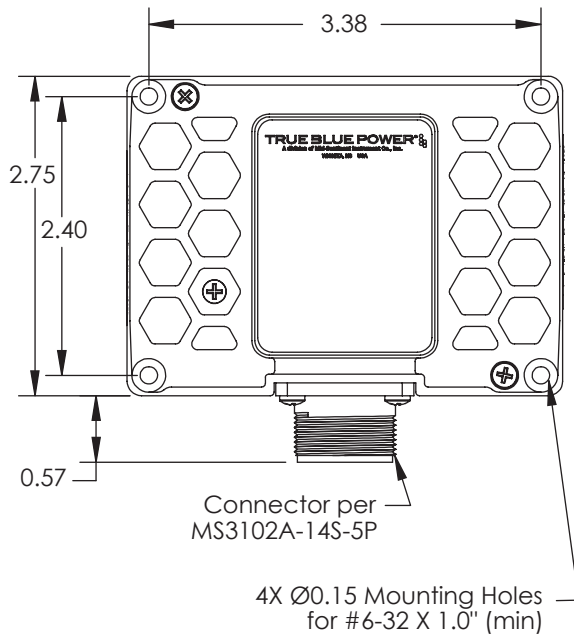
16320 Stagg Street  
Van Nuys, California 91406 USA  
Tel 818.786.0300 800.345.7599  
Fax 818.786.2734  
tbp@mcico.com

[truebluepowerusa.com](http://truebluepowerusa.com)

# 120 Watt DC-to-DC Converter

## TC120 Series

Manufactured by Mid-Continent Instrument Co., Inc.

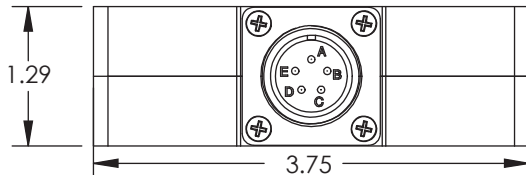


### Technical specifications

INPUT VOLTAGE	22 – 32 VDC
INPUT CURRENT	5.0 A Nominal
OUTPUT VOLTAGE	5 – 18 VDC adjustable
OUTPUT POWER	120 watts
REGULATION	1% load, 2% temperature
WEIGHT	0.65 lbs (0.29 kg)
ALTITUDE	55,000 ft
TEMPERATURE	-67°F to +158°F (-55°C to +70°C)
MATING CONNECTOR	P/N 9018651 (6430120-1, 6430120-2)
CASE	Anodized aluminum, blue
CERTIFICATION	FAA TSO C71 certified RTCA DO-160G qualified

### Two options to choose from

Part Number 6430120-1



Part Number 6430120-2 (with remote on/off feature)

