

TRUE BLUE POWER®

A division of Mid-Continent Instrument Co., Inc.

2000W AC-to-DC Converter

TC2000

Manufactured by Mid-Continent Instrument Co., Inc.

The TC2000 is ideal for aircraft with AC electrical systems that require 28-volt DC power for executive interiors, airline and passenger configurations. This powerful voltage converter delivers 2,000 watts of DC power to in-flight entertainment systems, interior and exterior lighting, and in-seat, cabin and cockpit USB power.



TC2000

Just **1** TC2000 powers **112** single, True Blue Power USB charging ports!

The TC2000 AC-to-DC Converter is compact, lightweight and easy to install. This converter is TSO-certified and engineered with input transient, short circuit and overload protection up to 110% of the rated load.

Product features

OUTPUT POWER	2000 Watts
INPUT VOLTAGE	100 – 250 VAC, 47 – 800 Hz
OUTPUT VOLTAGE	28 VDC ± 0.4 VDC
EFFICIENCY	88 – 90%
REMOTE ON/OFF	Yes
COOLING	Dual electronic, brushless fans
PROTECTION	Input transient, temperature monitoring, short circuit and overload protection (up to 110% of rated load without damage)
DESIGNED AND MANUFACTURED	Wichita, Kansas, USA
WARRANTY	Two-year limited

Kansas

9400 East 34th Street North
Wichita, Kansas 67226 USA
Tel 316.630.0101 800.821.1212
Fax 316.630.0723
tbp@mcico.com

California

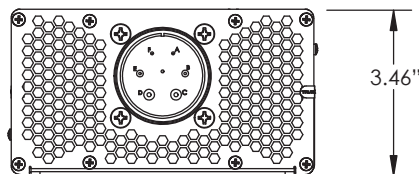
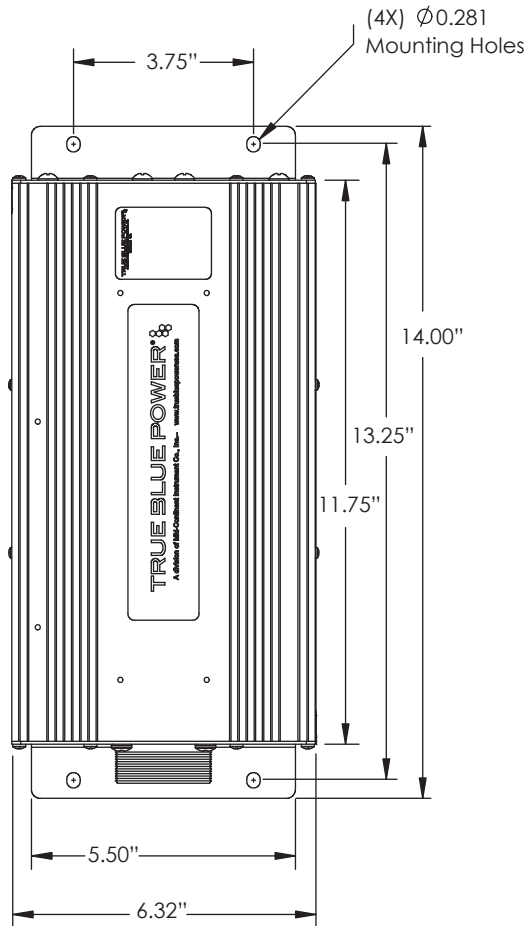
16320 Stagg Street
Van Nuys, California 91406 USA
Tel 818.786.0300 800.345.7599
Fax 818.786.2734
tbp@mcico.com

truebluepowerusa.com

2000W AC-to-DC Converter

TC2000

Manufactured by Mid-Continent Instrument Co., Inc.



Technical specifications

INPUT VOLTAGE	100 – 250 VAC, 47 – 800 Hz
INPUT CURRENT	21 A Nominal
OUTPUT VOLTAGE	28 VDC \pm 0.4 VDC
OUTPUT POWER	2,000 watts
WEIGHT	9.9 lbs (4.5 kg)
ALTITUDE	35,000 ft
TEMPERATURE	-67°F to +158°F (-55°C to +70°C)
MATING CONNECTOR	9018993-1
CASE	Anodized aluminum extrusion, blue
CERTIFICATION	FAA TSO-C71 certified RTCA DO-160G qualified

2,000 watts

of 28-VOLT DC POWER