

TRUE BLUE POWER®

A division of Mid-Continent Instrument Co., Inc.

280W AC-to-DC Converter

TC280

Manufactured by Mid-Continent Instrument Co., Inc.

The TC280 Converter supplies 280 watts of 28-volt power to electronic equipment, including USB charging ports, lighting and cabin accessories.



TC280

The highly efficient TC280 AC-to-DC Converter produces 280 watts of power from an aircraft's 115 VAC input. Engineered to run cooler and featuring a fanless design, the TC280 saves energy and reduces weight.

The TC280 produces enough energy to power electronic equipment throughout the aircraft, including in-seat, cabin and cockpit power applications. It is lighter and smaller than competing units and can be conveniently mounted in the floor, cabin wall or outside the pressure vessel.

Product features

| | |
|---------------------------|--|
| OUTPUT POWER | 280 Watts |
| INPUT VOLTAGE | 115 ± 10 VAC, 350-800 Hz |
| OUTPUT VOLTAGE | 28 VDC ± 0.5 VDC |
| EFFICIENCY | 88% |
| REMOTE ON/OFF | Yes |
| COOLING | None required |
| PROTECTION | Input transient, overload and short circuit protection temperature monitoring |
| DESIGNED AND MANUFACTURED | Wichita, Kansas, USA |
| WARRANTY | Two-year limited |

Kansas

9400 East 34th Street North
Wichita, Kansas 67226 USA
Tel 316.630.0101 800.821.1212
Fax 316.630.0723
tbp@mcico.com

California

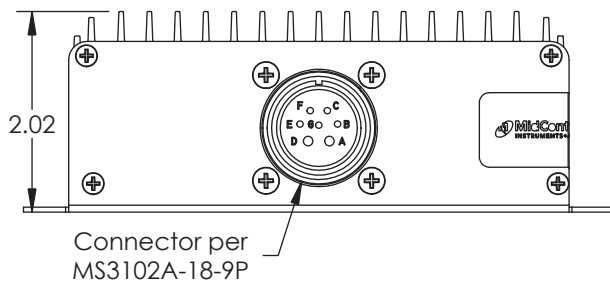
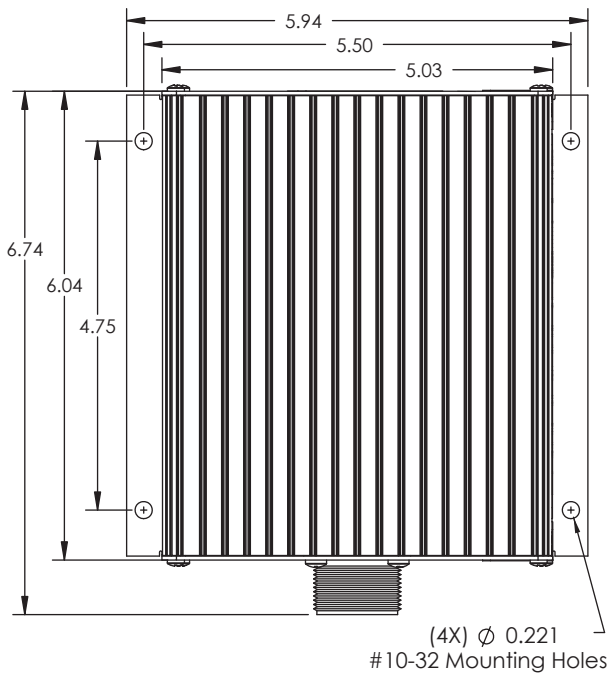
16320 Stagg Street
Van Nuys, California 91406 USA
Tel 818.786.0300 800.345.7599
Fax 818.786.2734
tbp@mcico.com

truebluepowerusa.com

280W AC-to-DC Converter

TC280

Manufactured by Mid-Continent Instrument Co., Inc.



Technical specifications

| | |
|------------------|---|
| INPUT VOLTAGE | 115 \pm 10 VAC, 350-800 Hz |
| INPUT CURRENT | 2.8 A Nominal |
| OUTPUT VOLTAGE | 28 VDC \pm 0.5 VDC |
| OUTPUT POWER | 280 watts |
| WEIGHT | 2.0 lbs (0.91 kg) |
| ALTITUDE | 55,000 ft |
| TEMPERATURE | -65°F to +160°F (-55°C to +70°C) |
| MATING CONNECTOR | MS3106A-18-9S (MCI P/N 9016905-1) |
| CASE | Anodized aluminum extrusion, blue |
| CERTIFICATION | FAA TSO-C71 certified RTCA DO-160G qualified |