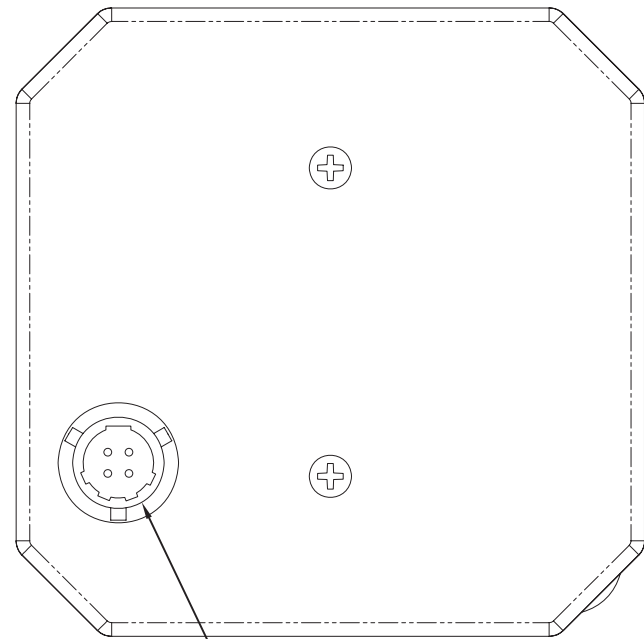


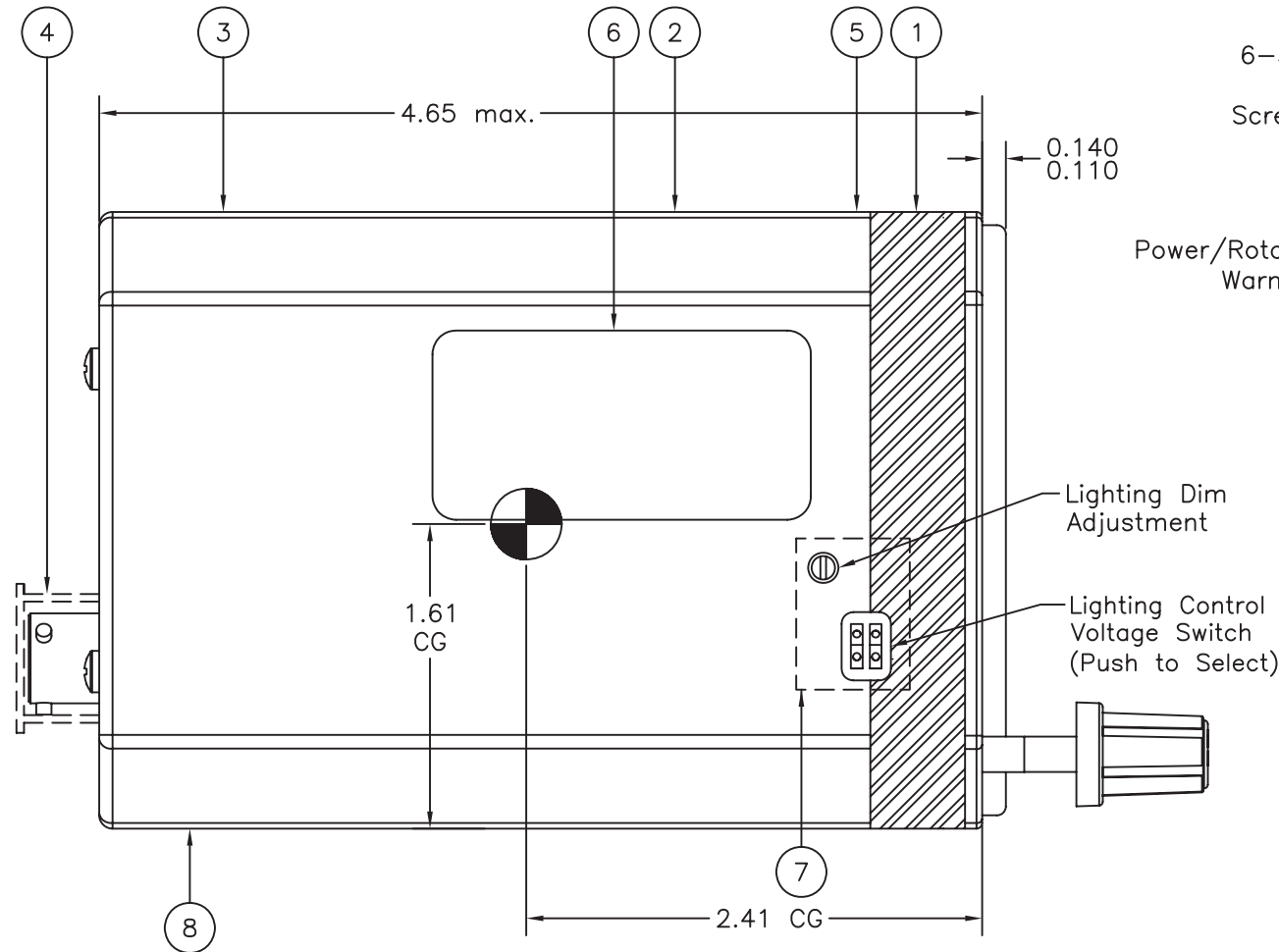
Configuration				
Dash #	DG Assy	Nameplate	Options Decal	Hole Cover Decal
-10	9016455-2	9016465-1	omit	omit
-11	9016455-1	9016465-2	9016157-2	8017212-1

Revisions				
ECO	Rev.	Description	Date	Approved
	A	Production Release. P/N was 4305-210.	1/25/07	JBR/BAW
4811	B	Correct typo: Env. Cat Temp Variation "S2" was "C2".	2/27/07	JBR/BAW
4943	C	Add -11 configuration. Revise pinout for internal lighting. Add Options and Hole Cover Decals.	11/19/07	MCH/BAW
4998	D	Change 8017212 to qty 1. Add TP471-().	3/7/08	MCH/JBR
5166	E	Delete Item 10, black tape, and change Item 7 configuration from 8017212 to 8017212-1.	2/25/09	MKN/Sch

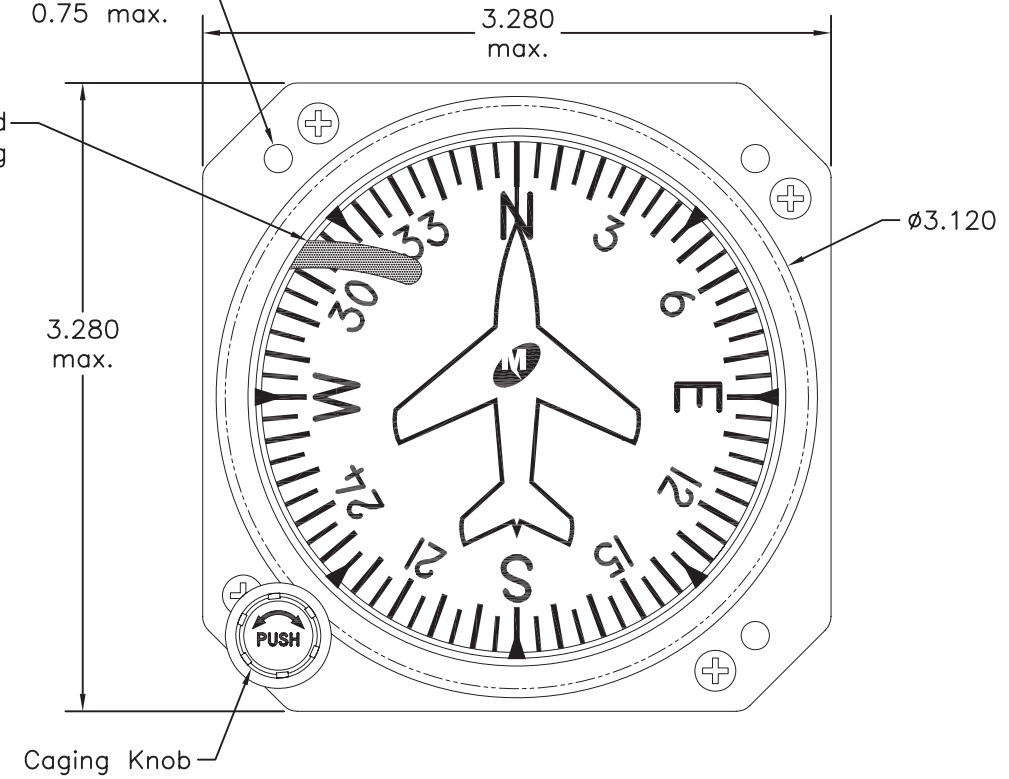
Logo and company name have been changed in title block only. No functional or technical changes have been made. Revision remains unchanged.



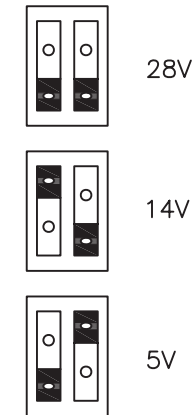
Connector: MS3112E8-4P	
-10 Configuration	-11 Configuration
A Ground (DC)	A Ground (DC)
B +10VDC to 32VDC Input	B Lighting Input
C +10VDC to 32VDC Input	C +10VDC to 32VDC Input
D Reserved	D Reserved
Supply power to pin B or C	



6-32UNC-2B holes on  $\phi 3.500$  BC (3 plcs)  
Screw depth into bezel: 0.75 max.

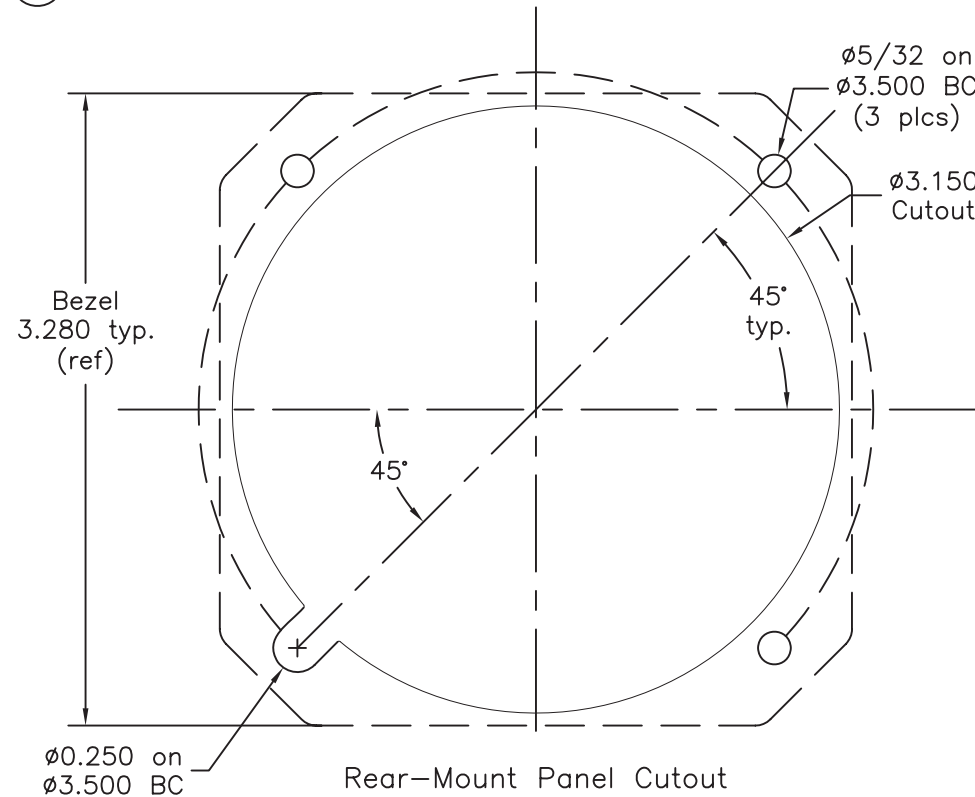


Lighting Control Switch Positions (3300-11 Only)



Item	Qty	Part Number	Description
1	A/R	8017360	Tape, Acetate
2	1	6018865	Decal, Caution
3	1	See Config.	Nameplate
4	1	8012486-10YF	Cover, Connector
5	1	6018956	Decal, Warranty
6	1	See Config	Decal, Options
7	1	See Config	Decal, Hole Cover
8	1	See Config.	Directional Gyro Assy
9	1	9015514	Mating Connector

Specifications	
<b>Power Input</b>	10 to 32 VDC
<b>Current Rating</b>	At 13.75 VDC Start: 1.4A Max Run: 0.37-0.51A At 27.5 VDC Start: 0.6A Max Run: 0.18-0.25A
<b>Lighting(-11 only)</b>	Internal White LED. Lighting control voltage is selectable for 5V, 14V or 28V DC.
<b>Weight</b>	3300-10: 1.9 lbs. 3300-11: 2.0 lbs.
<b>MTBF</b>	2500 hours
<b>Qualification Tests</b>	FAA TSO-C5e RTCA DO-160E Environmental Category: D1S2AER(B1)XXXXXXZZAZ[ZC][WW][M][A3C3X]XXAX
<b>Temperature</b>	-40°C to +55°C Operating
<b>Altitude</b>	+50,000 feet
<b>Connector</b>	MS3116E8-4P
<b>Mating Connector</b>	MS3116F8-4S or equivalent (P/N 9015514)
<b>Color</b>	Index Marks, Text, Symbolic Airplane, Logo: White Bezel, Dial Background: Black Power/Speed Warning Flag: Red
<b>Cover Glass</b>	HEA (Anti-Reflective) Coated



UNLESS OTHERWISE SPECIFIED, ALL DIMENSIONS ARE IN INCHES.  
TOLERANCE:  
FRACTIONAL=±1/64  
.XX=±0.015  
.XXX=±0.005  
.XXXX=±0.002  
ANGULAR=±0.5°  
CONCENTRICITY: 0.005 TIR  
BREAK ALL SHARP EDGES  
THREADS PER MIL-S-7742

DRAWN:  
J. Reed  
8/23/06  
APPROVED:  
BAW  
1/25/07

This document discloses proprietary information of Mid-Continent Instrument Co. It may be reproduced or disclosed only with written permission of Mid-Continent Instrument Co. and is not to be used in any way detrimental to the interests of Mid-Continent Instrument Co.

**MidContinent**  
INSTRUMENTS+AVIONICS

TITLE: DIRECTIONAL GYRO PART NUMBER: 3300