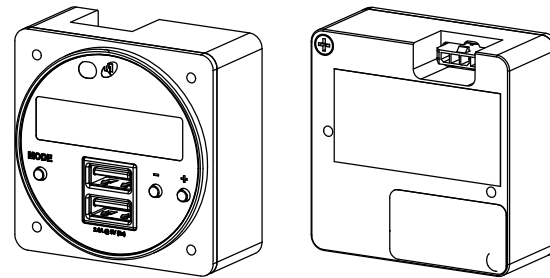
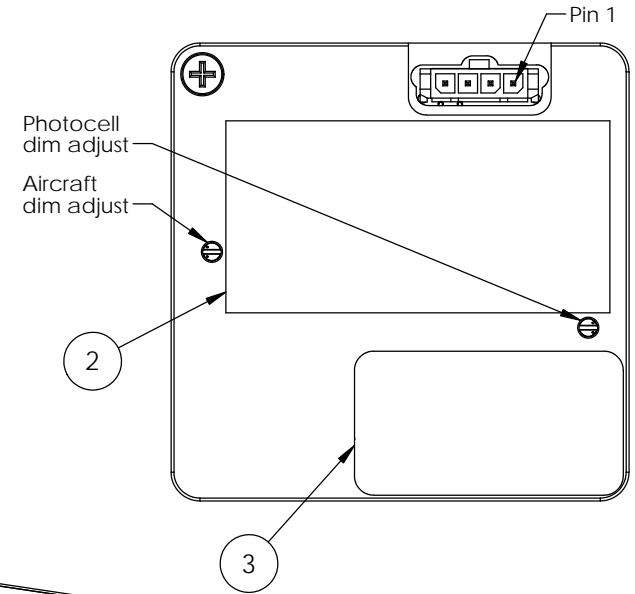
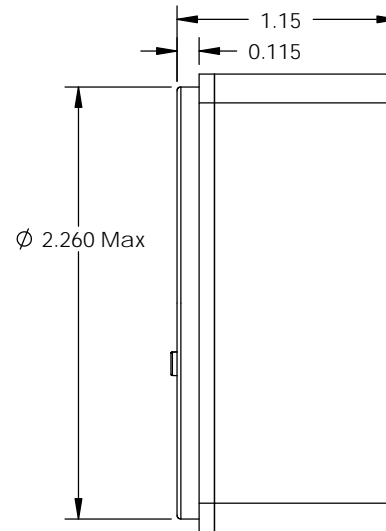
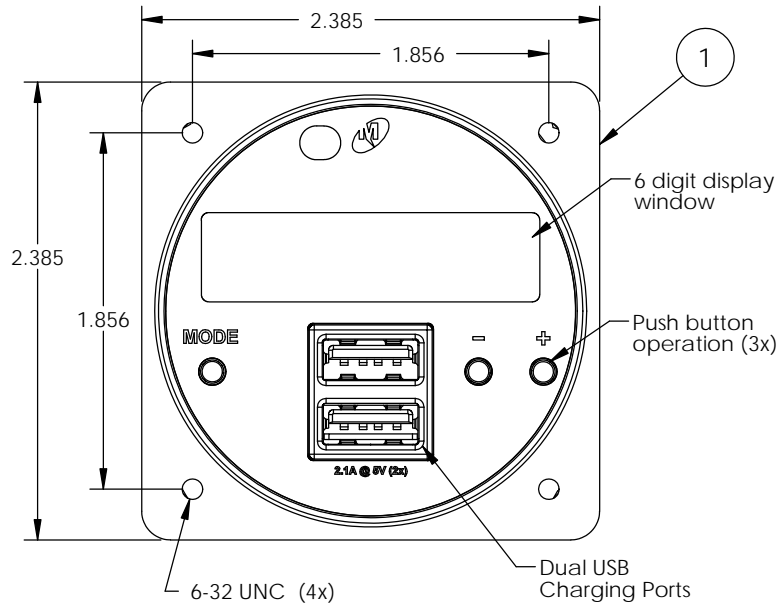


Configuration	
Dash #	
-1	As shown.

Revision				
ECO	Rev.	Description	Date	Approved
	A	Production release.	06/10/2014	JDS/TKV
6319	B	Updated Specifications to include Qualification data.	01/06/2015	BMC/BAW



Connector Pinout	
1	10-32 VDC Input
2	Ground
3	Lighting Bus
4	Flight Timer Enable

Specifications	
Model Number	MD93
Input	10-32 VDC, 27 watts Max (2.1A @ 14VDC; 1A @ 28VDC)
Output	5.0 ±0.25 VDC; 2.1 A per USB Port
Interface	USB Standard-A
Qualification	FAA TSO C71 RTCA DO-160G (See Installation Manual)
Compliance	USB Battery Charging BC 1.2
Lighting	Clock digits: white LED Mode, +, -, Logo: backlit white LED UTC, FLIGHT, TIMER: backlit white LED when active
Case	Anodized Aluminum, Black
Weight	0.25 lbs Max.
Mating Connect Kit	MCI P/N 9018178

UNLESS OTHERWISE SPECIFIED, ALL DIMENSIONS ARE IN INCHES.  
TOLERANCE:  
FRACTIONAL=±1/64  
.XX=±0.015  
.XXX=±0.005  
.XXXX=±0.002  
ANGULAR=±0.5°  
CONCENTRICITY: 0.005 TIR  
BREAK ALL SHARP EDGES  
THREADS PER MIL-S-7742

DRAWN:  
JDS  
3/13/2014

APPROVED:  
TKV  
07/01/2014

Item	Qty	Part Number	Description
1	1	9018085	Assembly, MD93
2	1	9018082	Nameplate
3	1	6018956	Decal, Warranty

This document discloses proprietary information of Mid-Continent Instrument Co., Inc. It may be reproduced or disclosed only with written permission of Mid-Continent Instrument Co. and is not to be used in any way detrimental to the interests of Mid-Continent Instrument Co., Inc.



TITLE: Digital Clock/USB Charger, MD93		PART NUMBER: 6420093
SCALE: 1:1	DO NOT SCALE THIS DRAWING	SHEET: 1 of 1