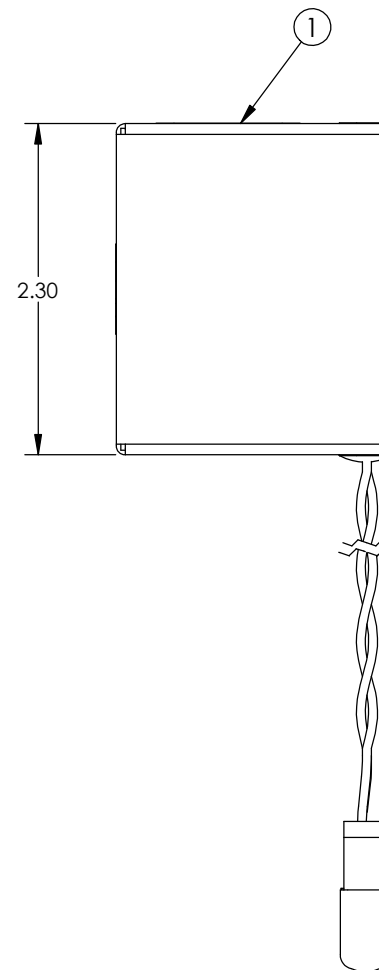
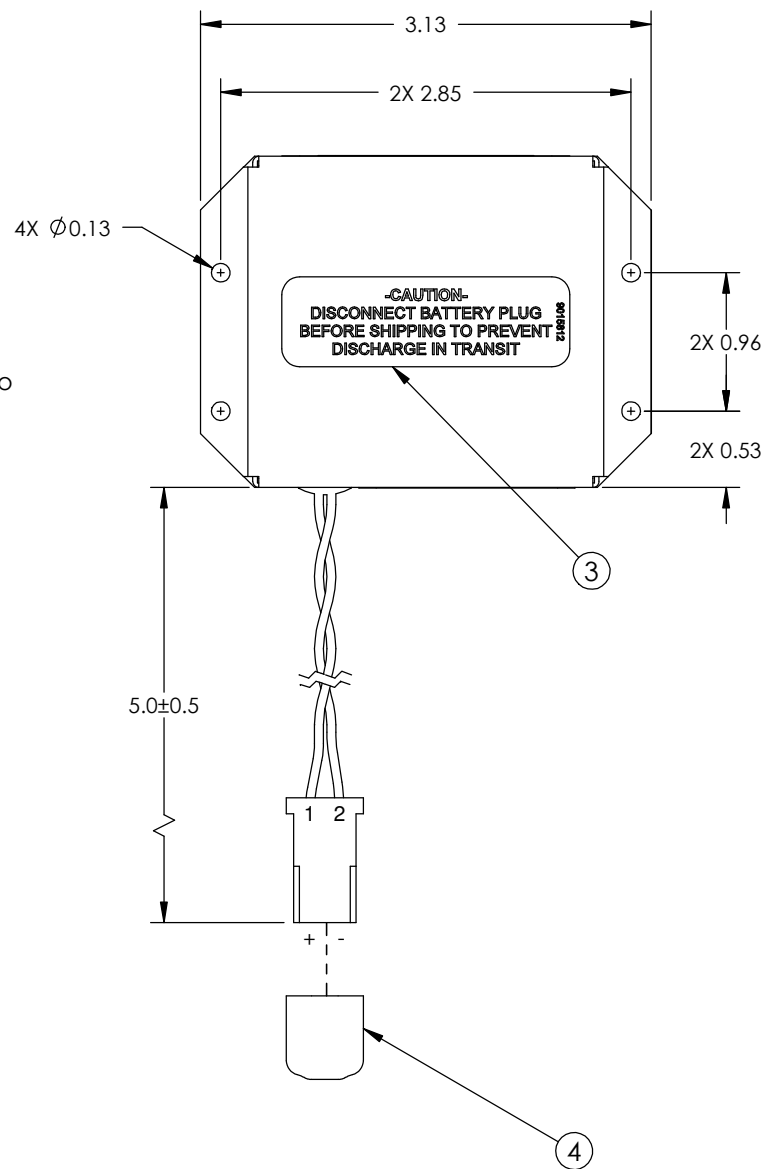
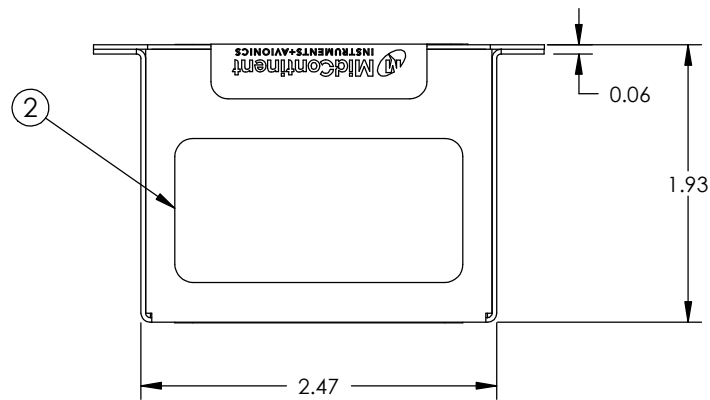
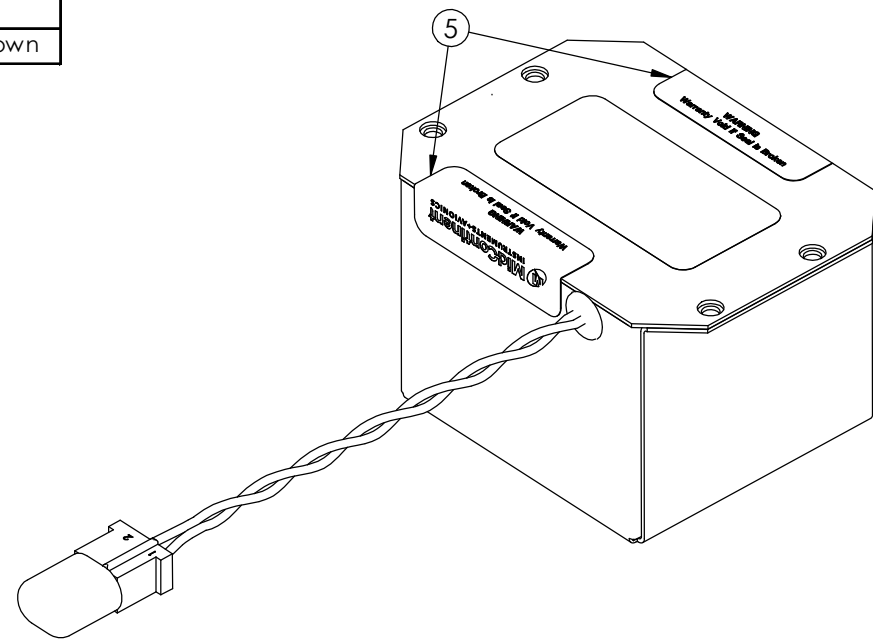


|               |          |
|---------------|----------|
| Configuration |          |
| Dash #        |          |
| Basic         | As Shown |



| Item | Qty | Part Number | Description               |
|------|-----|-------------|---------------------------|
| 1    | 1   | 9019097-1   | Assy, Battery             |
| 2    | 1   | 9015721-1   | Nameplate, Battery        |
| 3    | 1   | 9015812     | Label, Battery Disconnect |
| 4    | 1   | 9015832     | Cap, Electrical Plug      |
| 5    | 2   | 6018596     | Decal, Warranty           |

UNLESS OTHERWISE SPECIFIED, ALL DIMENSIONS ARE IN INCHES.  
TOLERANCE:  
FRACTIONAL= ±1/64  
.XX= ±0.015  
.XXX= ±0.005  
.XXXX= ±0.002  
ANGULAR= ±0.5°  
WEIGHT N.T.E. +5%  
BREAK ALL SHARP EDGES  
THREADS PER MIL-S-7742

DRAWN:  
NHK  
03/20/2003  
  
APPROVED:  
JBR  
08/27/2003

This document discloses proprietary information of Mid-Continent Instrument Co., Inc. It may be reproduced or disclosed only with written permission of Mid-Continent Instrument Co., and is not to be used in any way detrimental to the interests of Mid-Continent Instrument Co., Inc.



TITLE:  
**Battery, Standby**  
PART NUMBER:  
**9015607**  
SCALE: 3:4 DO NOT SCALE THIS DRAWING SHEET: 1 of 1

Notes:

- Recommended replacement interval for the standby battery (P/N 9015607) is 3-years after the date of manufacture listed on the nameplate. The battery can be replaced by the user if desired. The standby battery for Mod 0 contains lead, for Mod 1 contains Ni-MH. Recycle the battery in accordance with state and local regulations.
- The standby battery should be kept charged by one of the following methods:
  - Float Charging (Continuous): Disconnect the battery from the indicator. Connect the battery to a constant voltage source, pin #1 positive, of 20.4 to 20.6 VDC continuously.
  - Routine Charging (Any given method, every 3 months minimum):
    - Plug the battery into the 4300 Electric Attitude Indicator. Run the unit overnight (approx. 15 hours) at the rated voltage.
    - Disconnect the battery from the 4300 Indicator. Connect the battery to a constant voltage source (battery plug pin #1 red wire = positive) of 21.6 to 22.1 VDC with a current limit of 0.1 ampere maximum. After the first of a) eight hours, or b) when the charging current drops to approximately 5mA, the battery is fully charged.
    - Charge the battery using Mid-Continent Instruments Battery Charger (P/N 36029) per its instructions.
- A full battery capacity test must be performed at least on an annual basis, as well as any time there may be a question about battery performance (life).  
Full Battery Capacity Test:
  - Disconnect battery pack from the 4300 Attitude Indicator.
  - Ensure the battery is completely charged and at or near normal room temperatures (20-25°C).
  - Connect the battery to a load of 90 ohms (rated for 10 watts) for 60 minutes while monitoring the battery voltage level.
    - If the battery voltage is above 15.0 volts at the end of the 60-minute battery capacity test, the battery should be capable of continued use after recharging is complete.
    - If the battery voltage drops below 15.0 volts before the end of the 60-minute test period while under load, the battery pack is nearing the end of its service life and should be replaced.
  - Recharge the battery pack immediately. WARNING: The battery may be permanently damaged if it is left in a discharged state. Recharge a discharged battery as soon as possible and maintain with a float charge for maximum battery life.

4. Battery weight: Mod 0 = 1.0 lbs. ; Mod 1 = 10.5 oz.