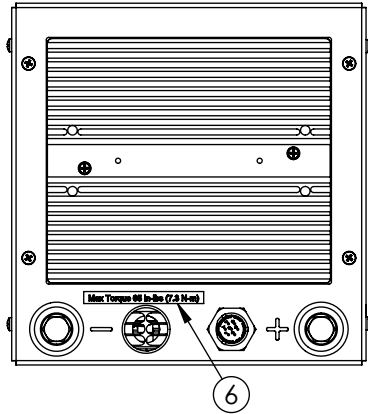


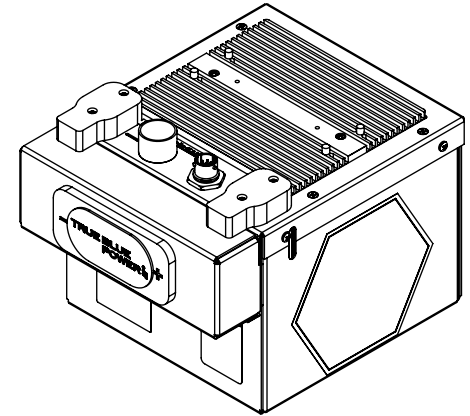
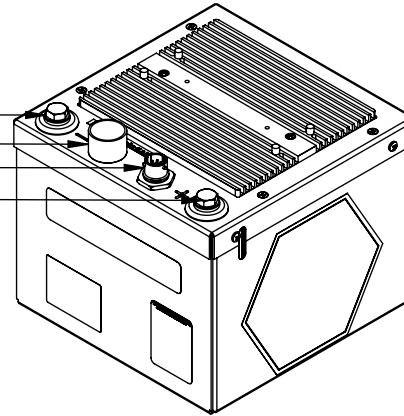
Configuration	
Dash #	Battery
-1	9018036
-2	9018036-1
-3	9018036-2
-4	9018036-3

Revision				
ECO	Rev.	Description	Date	Approved
		See obsolete drawing for revision history.		
6947	H	Added 9019257-1.	08/14/18	VAA/MKN
7250	J	Added -3 and -4 configurations.	07/28/20	VAA/MKN
7393	K	Added -3 and -4 text to Comm Connector table, update dims to single place.	07/23/21	ScH/MEK

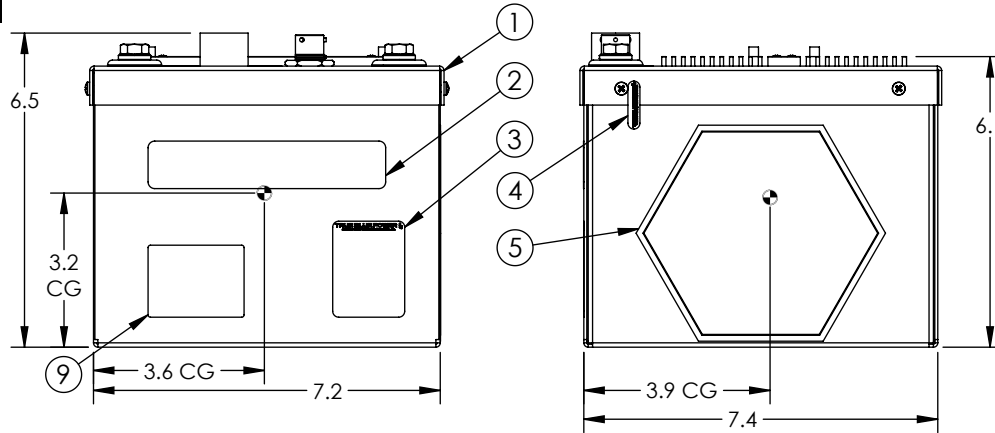
Comm Connector 85107A107P50	
6430017-1, -3	6430017-2, -4
Pin Function	Pin Function
Fault	Fault
Heater	Heater
Charging	Charging
Pin 1 of RTD 1	Pin 1 of RTD 1
Pin 2 of RTD 1	Pin 2 of RTD 1
Pin 1 or RTD 2	Heater Enable
Pin 2 of RTD 2	Reserved



Negative Terminal
Vent Port
Comm Connector
Positive Terminal



-3 and -4 config only, for dimensions and CG see 9018821 drawing



Item	Qty	Part Number	Description
1	1	See Config	Battery, Advanced Lithium-Ion, 17Ah
2	1	9017130-1	Label, True Blue Power
3	1	9017959	Label, Nameplate, TB17
4	1	6018956-1	Decal, Warranty TBP
5	1	9017444	Label, Warning, Aviation
6	1	6018964	Decal, Torque
7	2	SEP-12	Cap, Terminal (Not Shown)
8	1	EC-16	Cap, Vent Port (Not Shown)
9	1	9019257-1	Label, Battery, Charge Reminder

Specifications	
Model Number	TB17
Power Input	28.8 VDC Nominal, 34A Max
Power Output	26.4 VDC Nominal, 840A Max
Rated Capacity	17Ah @ 23°C
Certification and Qualifications	FAATSO-C179a RTCA DO-311 RTCA DO-160G (See install manual for categories)
Weight	16.0 lbs for -1 and -2 configurations 17.1 lbs for -3 and -4 configurations
Install Manual	MCIA P/N 9018047

UNLESS OTHERWISE SPECIFIED, ALL DIMENSIONS ARE IN INCHES.
TOLERANCE:
.X=±0.065
.XX=±0.015
.XXX=±0.005
.XXXX=±0.002
ANGULAR=±0.5°
WEIGHT N.T.E. +5%
BREAK ALL SHARP EDGES
THREADS PER MIL-S-7742

DRAWN:
BCM
03/21/2013

APPROVED:
JDS
02/13/2014

This document discloses proprietary information of Mid-Continent Instrument Co., Inc. It may be reproduced or disclosed only with written permission of Mid-Continent Instrument Co. and is not to be used in any way detrimental to the interests of Mid-Continent Instrument Co., Inc.

TRUE BLUE POWER
A Division of Mid-Continent Instrument Co., Inc.

TITLE:
Advanced Lithium-Ion Battery

PART NUMBER:
6430017

SCALE: 1:4

DO NOT SCALE THIS DRAWING

SHEET: 1 of 1