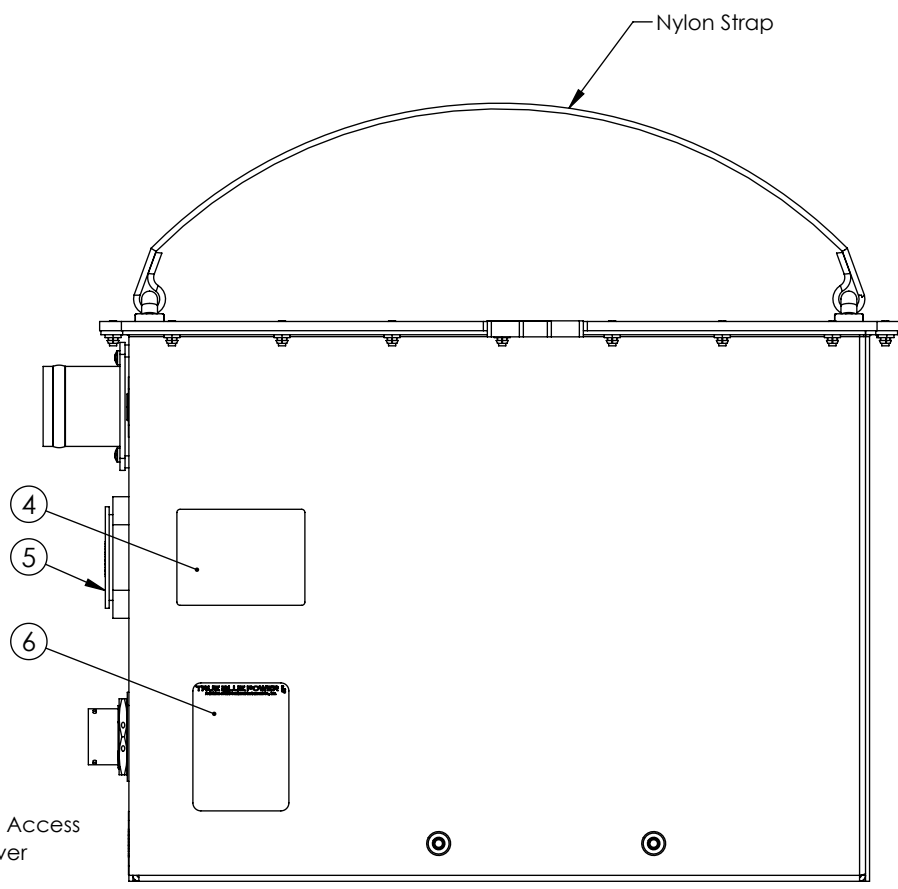
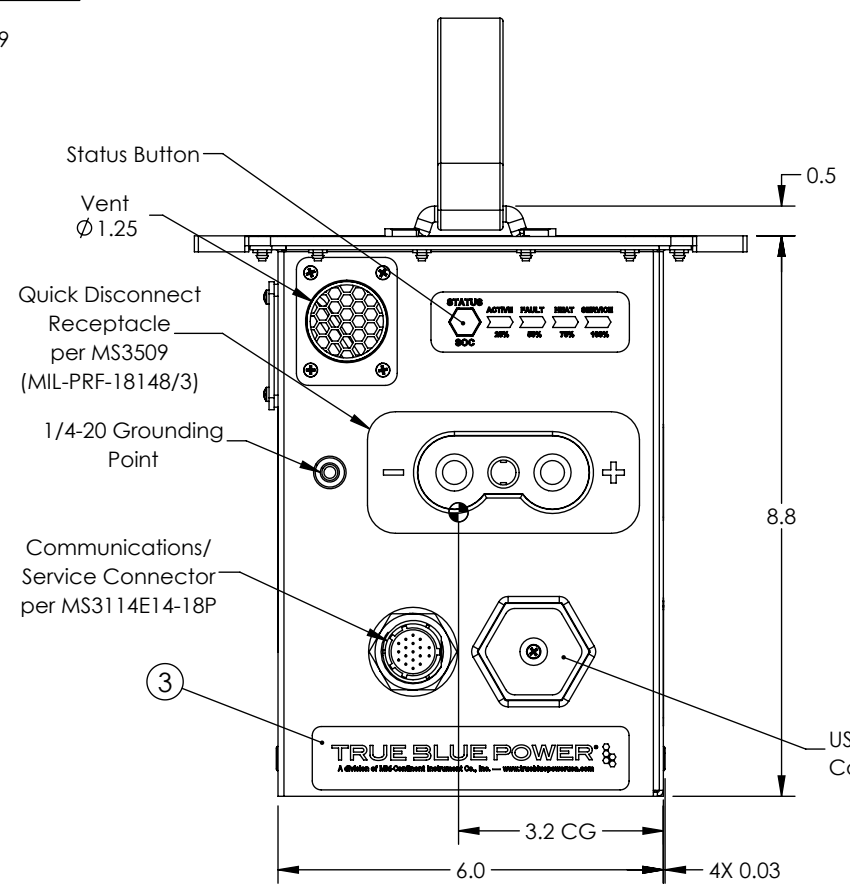
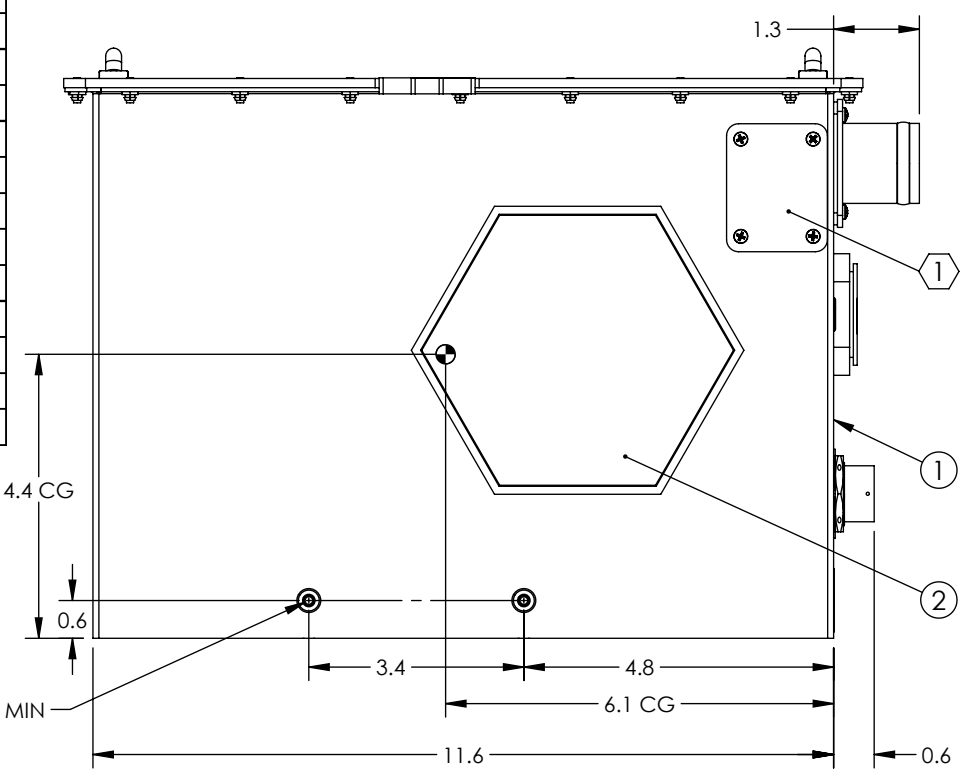
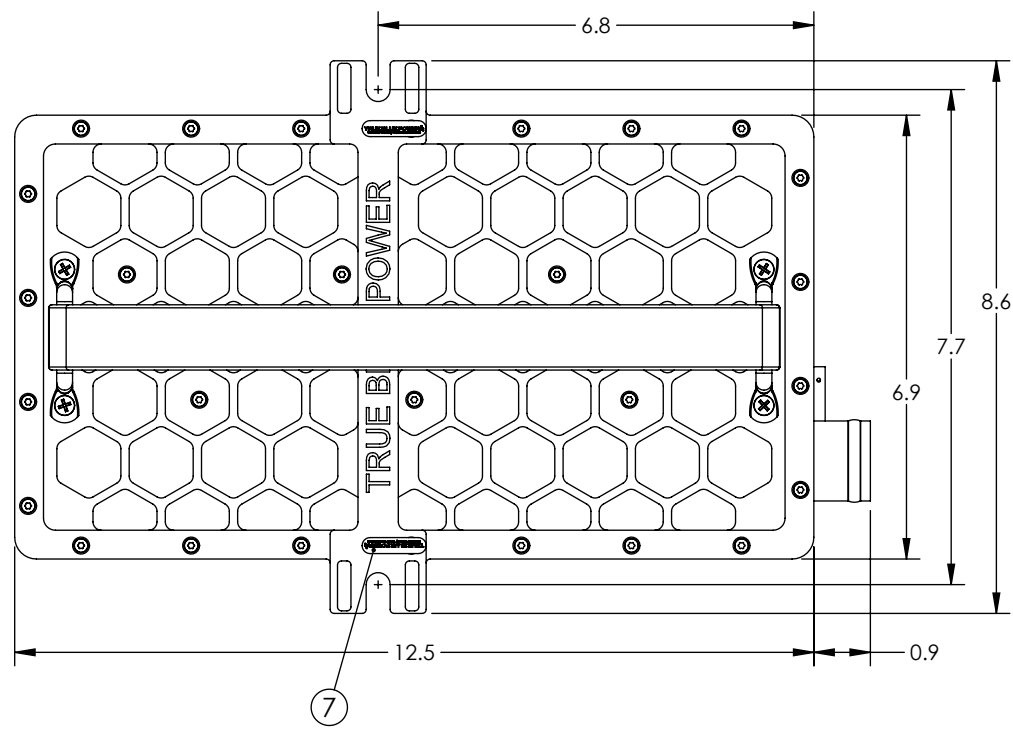


Configuration	
Dash #	
-1	As Shown

Revision				
ECO	Rev.	Description	Date	Approved
	A	Production release.	07/17/19	MKN/WVC
7312	B	Added dimensions for lower riv nuts. Added "Class A-4B" to TSO spec. Updated Status Overlay wording.	11/20/20	MKN/MEK

Comm/Service	
PIN	Description
A	Analog SOC
B	Battery Disable Input
C	Heater Disable Input
D	RTD-1A
E	RTD-1B
F	RTD-2A
G	RTD-2B
H	ARINC 429 (A)
J	Service Discrete
K	Fault Discrete
L	Heating Discrete
M	SOC Insufficient Discrete
N	Analog Ground
P	Spare
R	Spare
S	ARINC Ground
T	Engine Start Unavailable Discrete
U	ARINC 429 (B)

Specifications	
Model Number	TB30
Power Input	28.8 VDC Nominal, 300 A Max
Power Output	26.4 VDC Nominal, 1440 A Max
Rated Capacity	30 Ah @ 23 °C
Certification and Qualifications	FAA TSO-C179b, Class A-4B RTCA DO-311A RTCA DO-160G (See manual)
Weight	27.7 lbs
Install Manual	MCIA P/N 9019287



Note:
1. Alternate location for vent.

Item	Qty	Part Number	Description
1	1	9019324-1	Assy, Li-Ion Battery, 30 Ah
2	1	9017444	Label, Safety
3	1	9017130-1	Label, True Blue Power
4	1	9019257-1	Label, Battery, Charge Reminder
5	1	9017439-1	Dust Cap, Quick Disconnect
6	1	9019113-2	Nameplate, LI Battery
7	2	6018956-1	Decal, Warranty

UNLESS OTHERWISE SPECIFIED, ALL DIMENSIONS ARE IN INCHES.
TOLERANCE:
.X=±0.065
.XX=±0.015
.XXX=±0.005
.XXXX=±0.002
ANGULAR=±0.5°
WEIGHT N.T.E. +5%
BREAK ALL SHARP EDGES
THREADS PER MIL-S-7742

DRAWN:
MKN
08/07/2018

APPROVED:
WVC
07/07/2019

This document discloses proprietary information of Mid-Continent Instrument Co., Inc. It may be reproduced or disclosed only with written permission of Mid-Continent Instrument Co., and is not to be used in any way detrimental to the interests of Mid-Continent Instrument Co., Inc.

TRUE BLUE POWER
A division of Mid-Continent Instrument Co., Inc.

TITLE:
Advanced Lithium Ion Battery, 30 Ah
PART NUMBER:
6430030
SCALE: 1:3
DO NOT SCALE THIS DRAWING
SHEET: 1 of 1