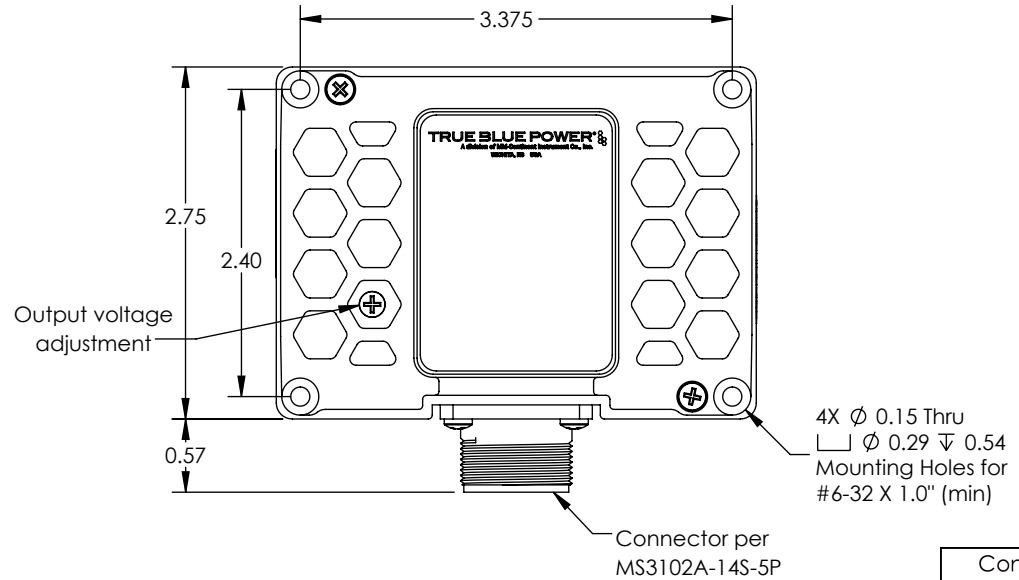
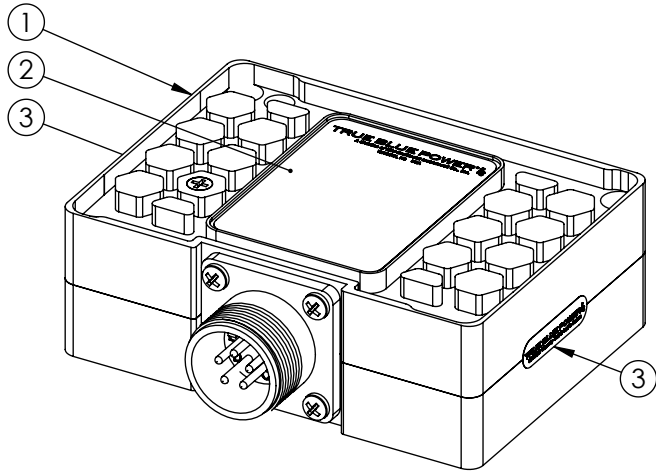


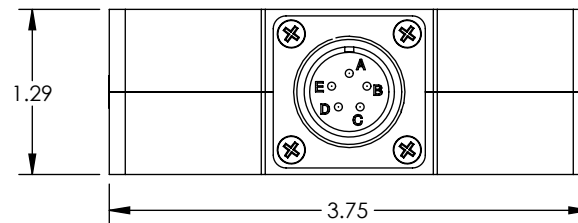
Configuration		
Dash #	Remote On/Off	Assy, TC120
-1	No	9018490-1
-2	Yes	9018490-2
-3	No	9018490-5

Revision				
ECO	Rev.	Description	Date	Approved
		See obsolete drawing for revision history.		
6774	E	Weight in title block was concentricity. Change weight from 0.65 lbs to 10.4 oz, delete kg & max.	07/06/17	SCH/VAA
7292	F	Added -3 configuration, updated qual and weight.	10/21/20	MEK/SCH
7300	G	Updated power input.	11/02/20	VAA/SCH



Connector Pinout	
A	DC Input
B	DC Return
C	VDC Output
D	DC Return
E	Remote ON/OFF

Specifications	
Model Number	TC120
Power Input	24-32 VDC 5 Amps nominal @ 28VDC; 8 Amps max
Power Output	5-18 VDC (adjustable) 120 watts rated power 9 Amps @ 14V nominal
Efficiency	95%
Features	Short-circuit protection; reverse polarity protection; over-voltage protection
Qualification (See Installation Manual for details)	FAA TSO-C71, RTCA DO-160G, -3 only; Additional Mil-Std qualifications
Temperature	-55°C to +70°C
Mating Connector	MS3106A14S-5S or equivalent
Case	Machined aluminum, blue anodized
Weight	11.0 oz (312g)
Install Manual	P/N 9018558



Item	Qty	Part Number	Description
1	1	See Config	Assy, TC120
2	1	9018491	Nameplate, DC/DC Converter
3	2	6018956-1	Decal, Warranty, TBP

UNLESS OTHERWISE SPECIFIED, ALL DIMENSIONS ARE IN INCHES.
TOLERANCE:
FRACTIONAL=±1/64
.XX=±0.015
.XXX=±0.005
.XXXX=±0.002
ANGULAR=±0.5°
WEIGHT: N.T.E.+5%
BREAK ALL SHARP EDGES
THREADS PER MIL-S-7742

DRAWN:
VAA
11/11/2015

APPROVED:
BAW
02/02/2016

This document discloses proprietary information of Mid-Continent Instrument Co., Inc. It may be reproduced or disclosed only with written permission of Mid-Continent Instrument Co. and is not to be used in any way detrimental to the interests of Mid-Continent Instrument Co., Inc.

TRUE BLUE POWER
A division of Mid-Continent Instrument Co., Inc.

TITLE: Converter, DC/DC, 120W	PART NUMBER: 6430120
SCALE: 2:3	DO NOT SCALE THIS DRAWING
SHEET: 1 of 1	