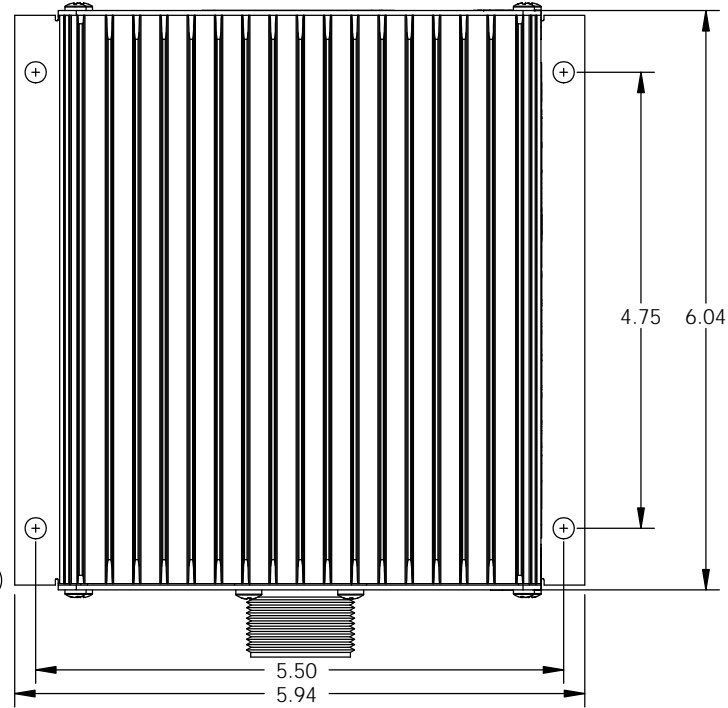
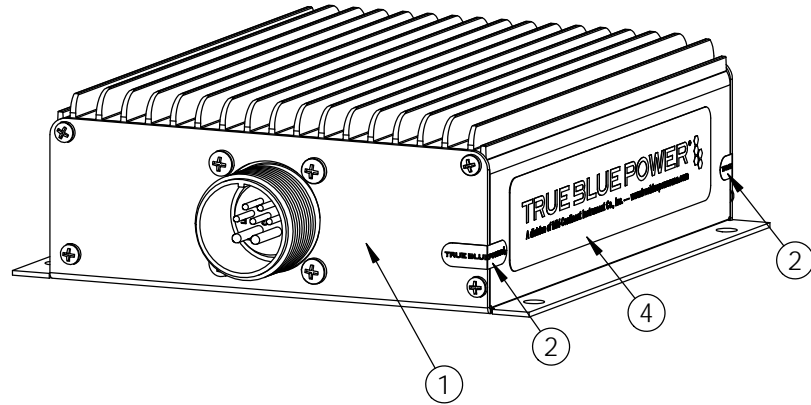
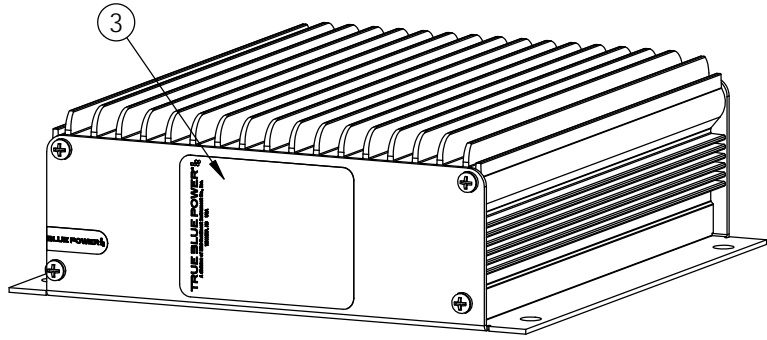


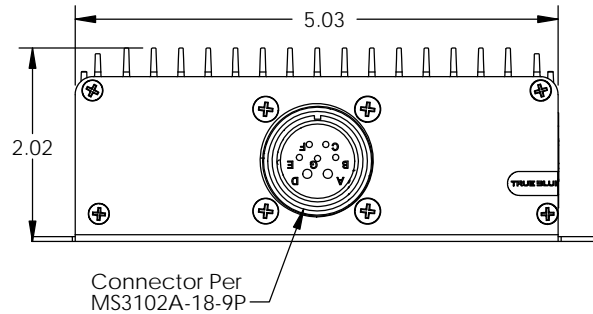
Configuration		
Dash #	Color	Item #1
-1	Blue	9018430-1
-2	Black	9018430-2

Revision				
ECO	Rev.	Description	Date	Approved
		See obsolete drawing for revision history.		
6484	B	Changed item 1 part number to see config and updated description.	11/05/15	VAA/TKV
6571	C	Reoriented connector.	03/15/16	TKV/VAA
6774	D	Weight in title block was Concentricity.	07/06/17	ScH/VAA



Connector Pinout	
A	28VDC Output
B	115VAC Input
C	115VAC Return
D	28VDC Return
E	Enable
F	Reserved
G	Ground

Specifications	
Model Number	TC280 Series
Power Input	115±10 VAC 350-800 Hz, 2.8 Amps Nominal
Power Output	28 ± 0.5 VDC, 10A
Power Factor	-0.8 to +0.8
Features	88% Efficiency, Remote ON/OFF
Protection	Ov er temp, Short Circuit, Underv oltag e, Ov erv oltag e
Qualification	RTCA DO-160G (See Installation Manual)
Temperature	-55°C to +70°C
Altitude	55,000 feet MAX
Mating Connector	MCIA p/n 9016905-1 (MS3106A-18-9S or equivalent)
Case	Anodized Aluminum, (Color: See Configuration)
Weight	2.0 lbs



Item	Qty	Part Number	Description
1	1	See config	Assy, Voltage Converter, TC280
2	2	6018956-1	Decal, Warranty
3	1	9018389	Nameplate, TC280
4	1	9017130-1	Label, True Blue Power

UNLESS OTHERWISE SPECIFIED, ALL DIMENSIONS ARE IN INCHES.
TOLERANCE:
FRACTIONAL= ±1/64
.XX= ±0.015
.XXX= ±0.005
.XXXX= ±0.002
ANGULAR= ±0.5°
WEIGHT: N.T.E.+5%
BREAK ALL SHARP EDGES
THREADS PER MIL-S-7742

DRAWN:
TKV
03/16/15

APPROVED:
VAA
10/21/2015

This document discloses proprietary information of Mid-Continent Instrument Co., Inc. It may be reproduced or disclosed only with written permission of Mid-Continent Instrument Co. and is not to be used in any way detrimental to the interests of Mid-Continent Instrument Co., Inc.

TRUE BLUE POWER
A division of Mid-Continent Instrument Co., Inc.

TITLE:
Converter, 280VA, AC-to-DC

PART NUMBER:
6430280

SCALE: 1:2

DO NOT SCALE THIS DRAWING

SHEET: 1 of 1