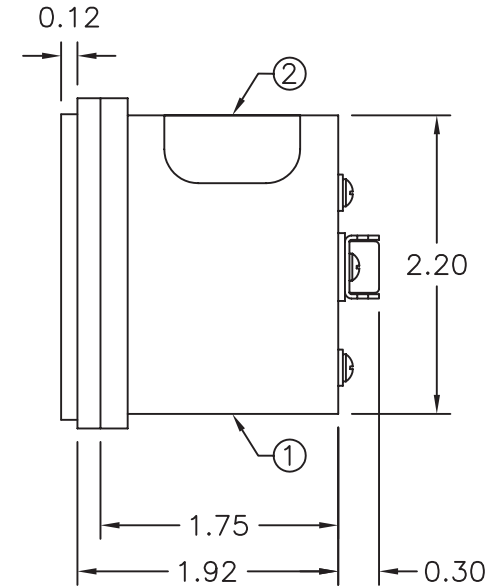
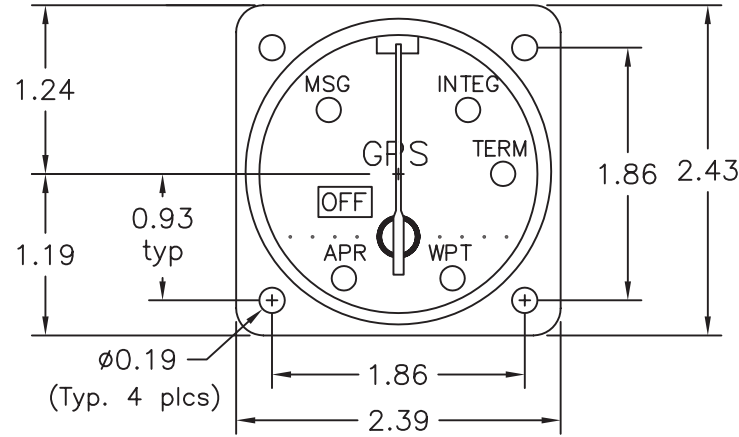
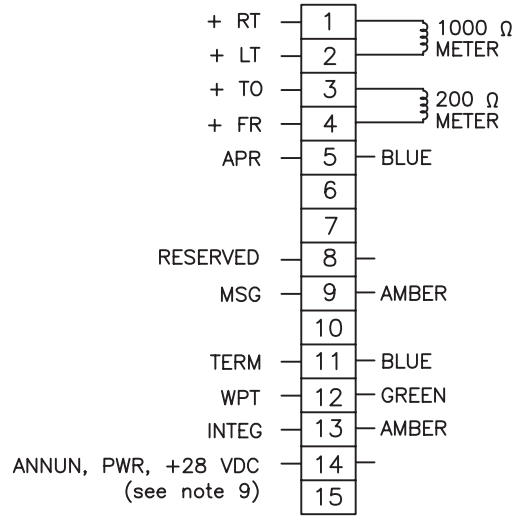


Revisions				
ECO	Rev.	Description	Date	Approved
	1	Preliminary release.	03/25/08	BAW
	2	Remove lighting. Update pinout text.	03/26/08	BAW
	A	Production release.	04/01/08	BAW/MKN
5034	B	Note 4 was test per TDS219.	5/23/08	MKN/ScH

Logo and company name have been changed in title block only. No functional or technical changes have been made. Revision remains unchanged.



Note:

- 1) Input voltage is 28VDC±4VDC.
- 2) Unit conforms to TSO C60a
- 3) Environmental testing complies with RTCA DO-160B, F2-BA(MN)XXXXXXXXZ
- 4) Functional test per Mid-Continent TDS231.
- 5) Case, bezel, and dial to be dull black (ref. FED-STD-595, #37038).
- 6) Pointer, dial markings, and text to be white (ref. FED-STD-595, #37875).
- 7) Weight: 0.5 pounds max
- 8) Connector is 15-pin D-Sub with locking mechanism.
- 9) Voltage may be lower for dimming. 175mA max.
- 10) Unit designed for Columbia Helicopters, Inc.

Item	Qty	Part Number	Description
1	1	8018566-70	Assembly, MD40 CDI
2	1	8013005	Nameplate, MD40 CDI
3	1	8018632	Kit, Connector, MD40 series

UNLESS OTHERWISE SPECIFIED, ALL DIMENSIONS ARE IN INCHES.
TOLERANCE:
FRACTIONAL=±1/64
.XX=±0.015
.XXX=±0.005
.XXXX=±0.002
ANGULAR=±0.5°
CONCENTRICITY: 0.005 TIR
BREAK ALL SHARP EDGES
THREADS PER MIL-S-7742

DRAWN:
BAW
03/25/08
APPROVED:
MKN
04/01/08

This document discloses proprietary information of Mid-Continent Instrument Co. It may be reproduced or disclosed only with written permission of Mid-Continent Instrument Co. and is not to be used in any way detrimental to the interests of Mid-Continent Instrument Co.



TITLE: Course Deviation Indicator
PART NUMBER: MD40-70