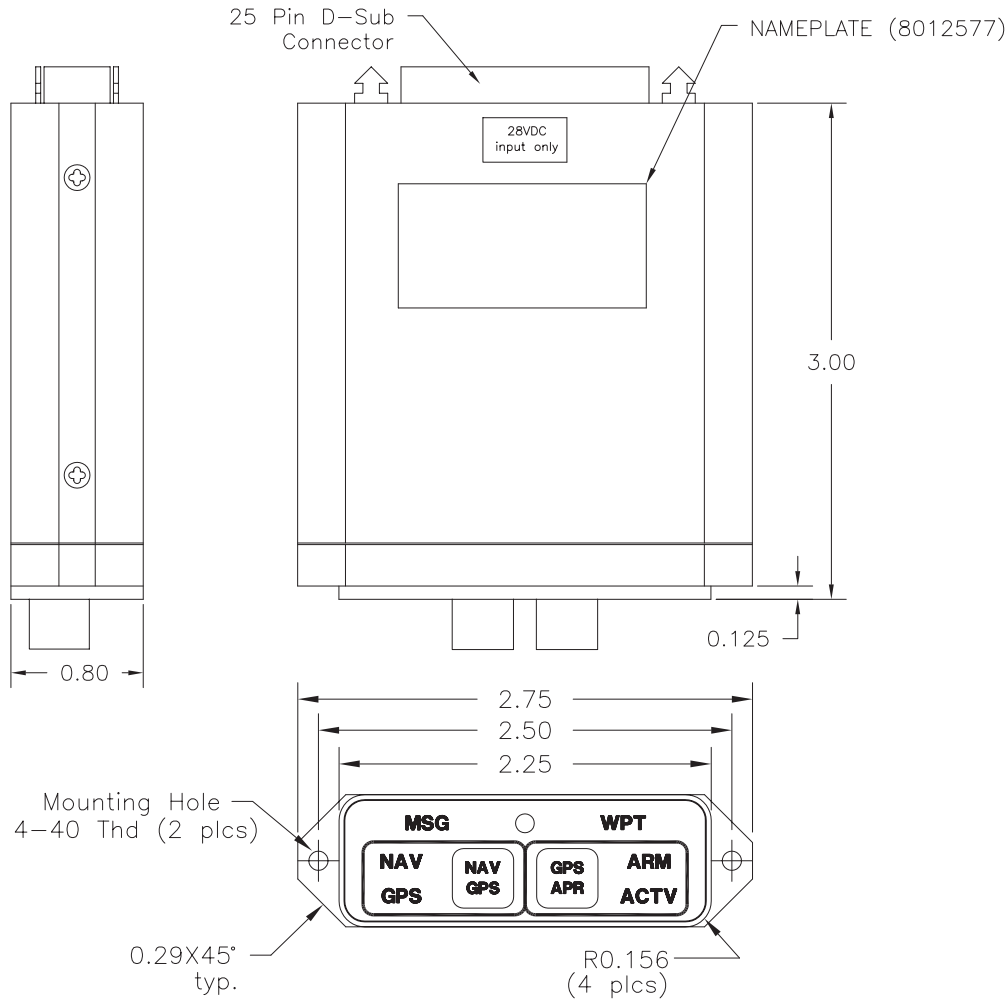


| Revisions |      |             |      |          |
|-----------|------|-------------|------|----------|
| ECO       | Rev. | Description | Date | Approved |
|           |      |             |      |          |

Logo and company name have been changed in title block only. No functional or technical changes have been made. Revision remains unchanged.



NOTE: Refer to manual number 7019458 for installation information.

SPECIFICATIONS:

- TSO Compliance: TSO C129  
Applicable Documents:  
RTCA DO-160C, DO-208
- Operating Temperature Range:  
-55°C to +70°C
- Humidity: 95% Non-Condensing.
- Altitude Range: 0 to 55,000 ft.
- Vibration: Cat. M and N.
- Operational Shock: Rigid Mounting, 6G Operational, 15G Crash Safety.
- Current: 0.30 Amps typical.
- Controls:  
NAV/GPS: Alternate action switch.  
GPS/APR: Momentary switch.  
OBS/LEG: Alternate action switch.
- Annunciations and colors:  
NAV: white.  
GPS: green.  
MSG: amber.  
ARM: white.  
ACTV: green.  
WPT: amber.  
LEG: green.  
OBS: white.
- Overall color shall be black.
- Weight shall be 0.30 lbs.

25 PIN MALE D-SUB CONNECTOR

|                         |    |
|-------------------------|----|
| NAV CIRCUIT BKR         | 1  |
| GPS ANN                 | 2  |
| MSG ANN                 | 3  |
| WPT ANN                 | 4  |
| 5V DIMMER IN            | 5  |
| GPS APR ARM SELECT      | 6  |
| LAMP TEST               | 7  |
| ACTV ANN                | 9  |
| ARM ANN                 | 10 |
| ILS ENERGIZE            | 11 |
| 28VDC POWER             | 13 |
| NAV ANN                 | 16 |
| GPS DISPLAY             | 18 |
| EXTERNAL RELAY ENERGIZE | 24 |
| GROUND                  | 25 |

This document discloses proprietary information of Mid-Continent Instrument Co., Inc. It may be reproduced or disclosed only with written permission of Mid-Continent Instrument Co., Inc. and is not to be used in any way detrimental to the interests of Mid-Continent Instrument Co., Inc.

UNLESS OTHERWISE SPECIFIED  
ALL DIMENSIONS ARE IN INCHES  
TOLERANCE: FRACTIONAL = ± 1/64  
.XX = ± .020  
.XXX = ± .010  
.XXXX = ± .002  
ANGULAR = ± 0.5°  
CONCENTRICITY: .005 TIR  
BREAK ALL SHARP EDGES  
THREADS PER MIL-S-7742

SURFACE ROUGHNESS — — — ✓

|                  |           |          |
|------------------|-----------|----------|
| DRAWN            | J. Reed   | 11/15/01 |
| APPROVED         | Sch       | 11/15/01 |
| TOP LEVEL ASSY:  | 9014697-3 |          |
| USED ON:         |           |          |
| END ITEM:        |           |          |
| CODE IDENT. NO.: | 59742     |          |



|        |                           |              |               |
|--------|---------------------------|--------------|---------------|
| TITLE: | ANNUNCIATION CONTROL UNIT | PART NUMBER: | MD41-1528(5V) |
| SCALE: | None                      | SHEET        | 1 of 1        |