

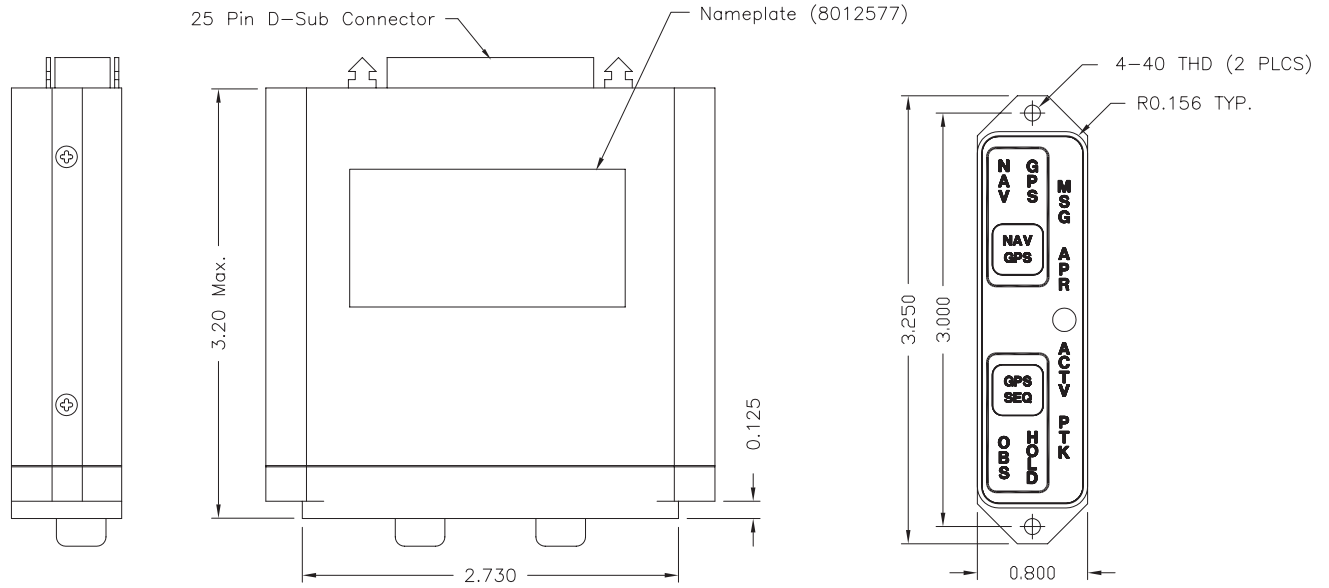
SPECIFICATIONS:

- 1) TSO Compliance: TSO C129  
Applicable Documents: RTCA DO-160C, DO-208
- 2) Operating Temperature Range: -55°C to +70°C
- 3) Humidity: 95% Non-Condensing.
- 4) Altitude Range: 0 to 55,000 ft.
- 5) Vibration: Cat. M and N.
- 6) Operational Shock: Rigid Mounting, 6G Operational 15G Crash Safety.
- 7) Current: 0.30 Amps typical.
- 8) Controls:  
NAV/GPS: Alternate action switch.  
GPS/SEQ: Momentary switch.

- 9) Annunciations and colors:  
NAV: green.  
GPS: white.  
MSG: amber.  
PTK: white.  
APR: white.  
ACTV: green.  
HOLD: white.  
OBS: white.
- 10) Overall color shall be black.
- 11) Weight shall be 0.30 lbs.

25 PIN MALE  
D-SUB CONNECTOR

AUTOPILOT ILS ENERGIZE	11
ACTV ANN	8
PTK ANN	9
MSG ANN	3
ARP ANN	4
NAV ANN	2
GPS ANN	1
OBS/HOLD ANN	23
LAMP TEST	7
OBS/HOLD SELECT	10
ILS ENERGIZE	15
EXTERNAL RELAY ENERGIZE	14
NAV CIRCUIT BKR	12
28VDC POWER	13
GROUND	25
5V DIMMER IN	5



Vertical Mount

Revisions				
ECO	Rev.	Description	Date	Approved
2976	A	P/N 7016942 was P/N 7016959.	12/12/02	DDT/ScH
3254	B	0.125 was 0.08. Rearrange drawing	6/4/03	DDT/ScH

Logo and company name have been changed in title block only. No functional or technical changes have been made. Revision remains unchanged.

This document discloses proprietary information of Mid-Continent Instrument Co., Inc. It may be reproduced or disclosed only with written permission of Mid-Continent Instrument Co., Inc and is not to be used in any way detrimental to the interests of Mid-Continent Instrument Co., Inc.

UNLESS OTHERWISE SPECIFIED ALL DIMENSIONS ARE IN INCHES TOLERANCE: FRACTIONAL = ±1/64 .XX = ±.020 .XXX = ±.010 .XXXX = ±.002 ANGULAR = ±0.5° CONCENTRICITY: .005 TIR BREAK ALL SHARP EDGES THREADS PER MIL-S-7742	DRAWN	S. Hoang	05/23/00		TITLE: ANNUNCIATION CONTROL UNIT	PART NUMBER: MD41-1738(5V)
	APPROVED	B. Barnes	05/23/00			
	TOP LEVEL ASSY:	9010406-6				
	USED ON:					
	END ITEM:					
	SURFACE ROUGHNESS					
	CODE IDENT. NO.:	59742				
				SCALE: None		SHEET 1 of 1