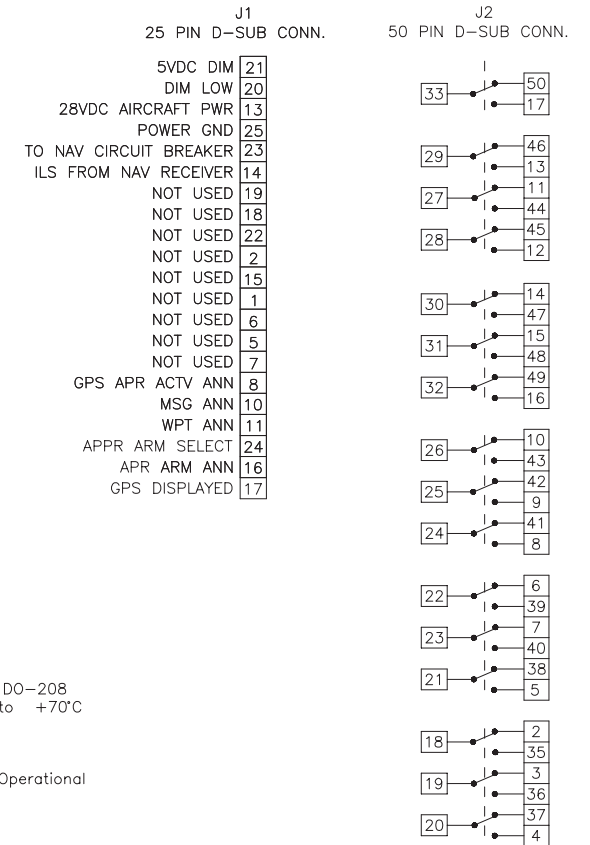
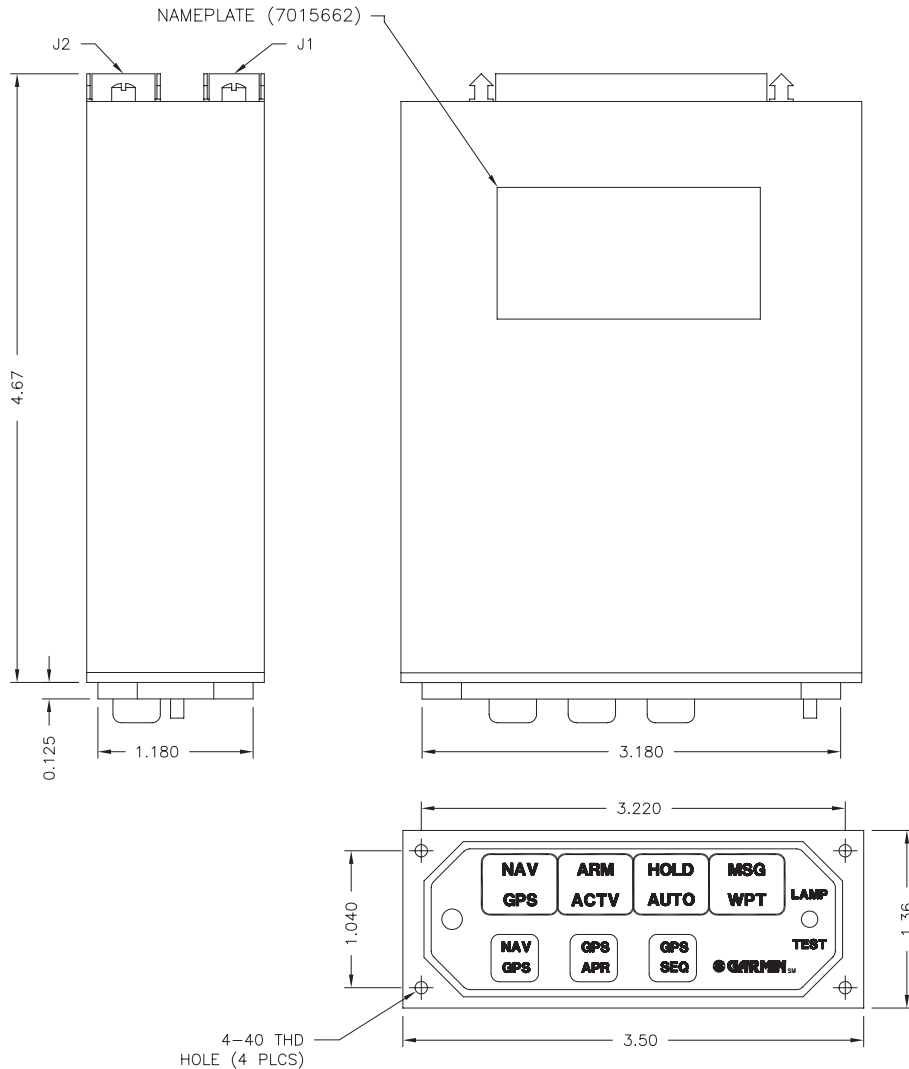


Revisions				
ECO	Rev.	Description	Date	Approved
2707	A	Add GPS/SEQ button.	4/10/02	JBR/Sch

Logo and company name have been changed in title block only. No functional or technical changes have been made. Revision remains unchanged.



SPECIFICATIONS:

- 1) TSO Compliance: TSO C129
Applicable Documents: RTCA DO-160C, DO-208
- 2) Operating Temperature Range: -55°C to +70°C
- 3) Humidity: 95% Non-Condensing.
- 4) Altitude Range: 0 to 55,000 ft.
- 5) Vibration: Cat. M and N.
- 6) Operational Shock: Rigid Mounting, 6G Operational 15G Crash Safety.
- 7) Controls:
NAV/GPS: Alternate action switch.
GPS/APR: Momentary action switch.
GPS/SEQ: Alternate action switch.
- 8) Annunciations and colors:
NAV: white HOLD: amber
GPS: green AUTO: green
ARM: white MSG: amber
ACTV: green WPT: amber
- 9) Overall color shall be black.
- 10) Weight shall be 0.75 lbs.
- 11) Electrical Specifications:
MD41-428(5V) 0.40 Amp.
Relay Contact Current Rating 2 Amp. DC
Available Relay Poles (SPDT) 16

Notes:

- 1) Mating connectors:
For J1: 25 pin female Positronic
P/N RD25F10JVL0 (MCI P/N: 7014517).
For J2: 50 pin female Positronic
P/N RD50F10JVL0 (MCI P/N: 7014509).

(All relays shown in NAV position, for installation information refer to manual number 7015555).

This document discloses proprietary information of Mid-Continent Instrument Co., Inc. It may be reproduced or disclosed only with written permission of Mid-Continent Instrument Co., Inc and is not to be used in any way detrimental to the interests of Mid-Continent Instrument Co., Inc.

UNLESS OTHERWISE SPECIFIED ALL DIMENSIONS ARE IN INCHES TOLERANCE: FRACTIONAL = ±1/64 .XX = ±.015 .XXX = ±.005 .XXXX = ±.002 ANGULAR = ±0.5° CONCENTRICITY: .005 TIR BREAK ALL SHARP EDGES THREADS PER MIL-S-7742 SURFACE ROUGHNESS _____ ✓	DRAWN	J. Reed	2/14/02		TITLE: Annunciation Control Unit	PART NUMBER: MD41-428(5V)
	APPROVED	Sch	2/14/02			
	TOP LEVEL ASSY:	8012553-9			SCALE: None	DO NOT SCALE THIS DRAWING
	USED ON:					
END ITEM:						
CODE IDENT. NO.:	59742					